



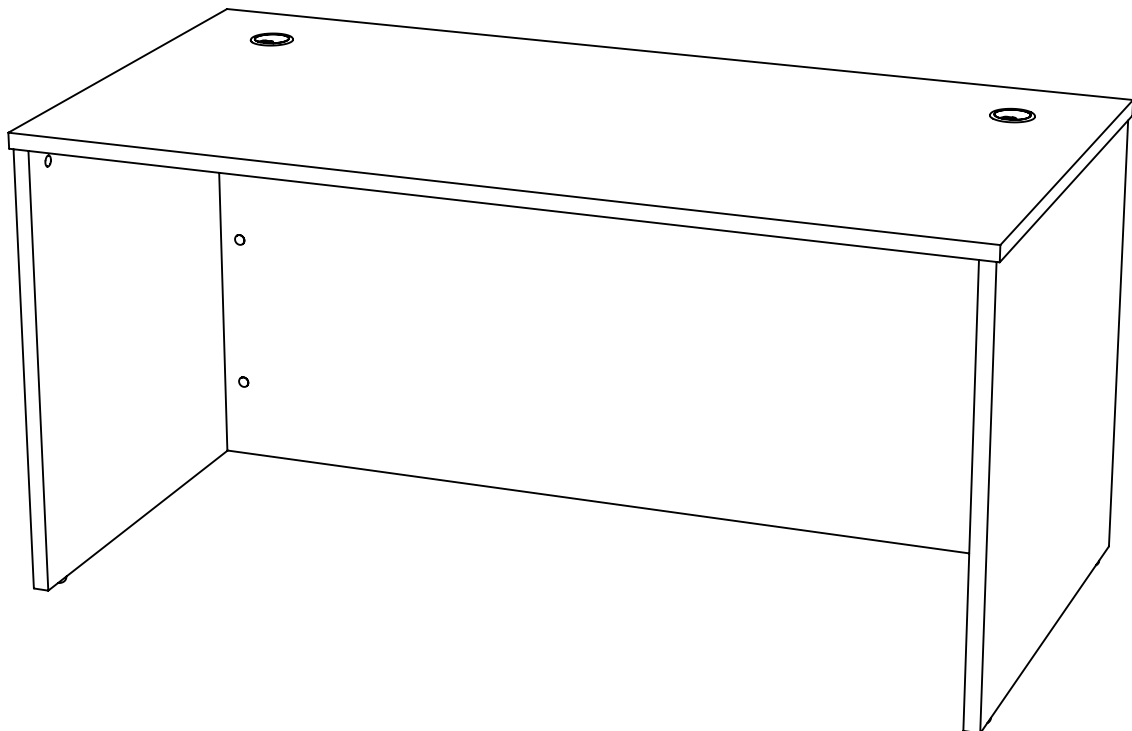
Scan Me
to watch
Assembly
Instructions



Kai
— By —
i5 Industries

Assembly: Desk Shell

MODELS: D2448 24x48 Desk Shell
D3048 30x48 Desk Shell
D3060 30x60 Desk Shell
D3066 30x66 Desk Shell
D3071 30x71 Desk Shell
D3671 36x71 Desk Shell



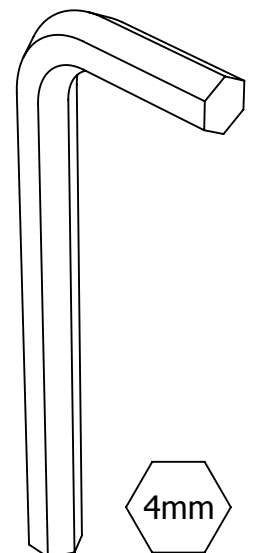
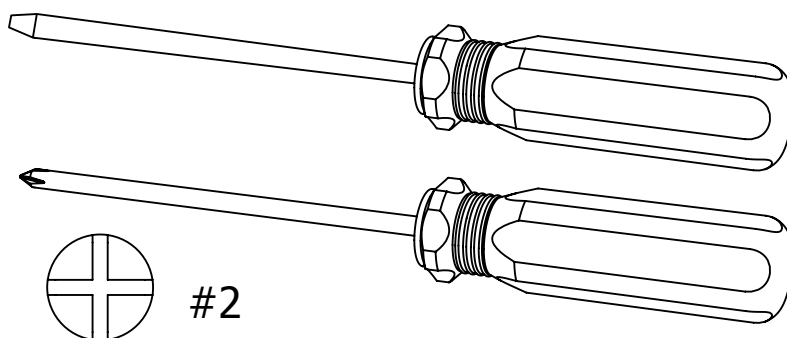
- Place all laminated parts on a clean and smooth surface such as a rug or carpet to avoid the parts from being scratched.
- Check to be sure that you have all parts and hardware.
- Remove all wrapping materials, including staples & packing straps before you start to assemble.
- Line up holes for cam locks.
- Put on sticker caps last.
- Keep all hardware parts out of reach of children.
- Inspect all holes to ensure there isn't any debris.



**TWO PEOPLE ARE
REQUIRED TO
ASSEMBLE AND MOVE
THIS MODEL**

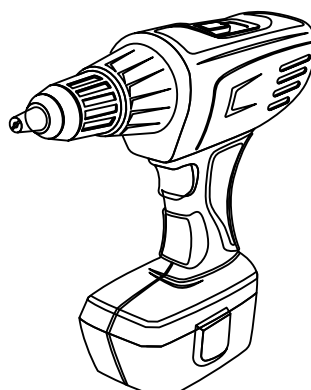
Required tools:

Flathead or Philips
#2 Screwdriver



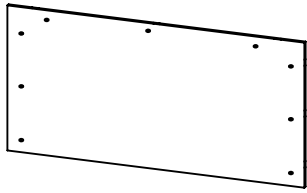
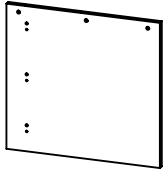
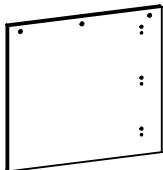

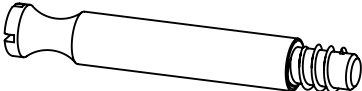


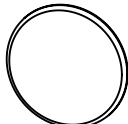



Recommended tools:

**Highly recommended when
assembling: L-shape
configuration or
attaching pedestals**

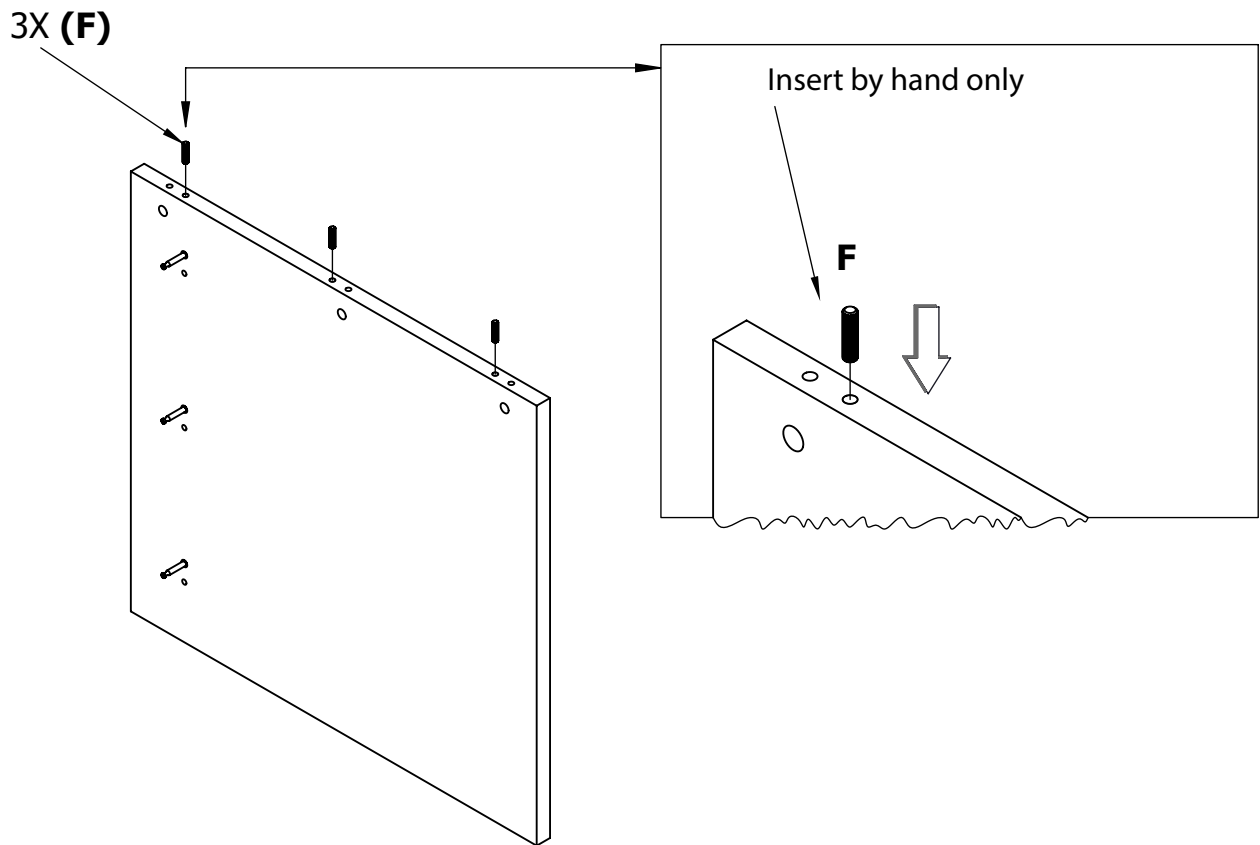
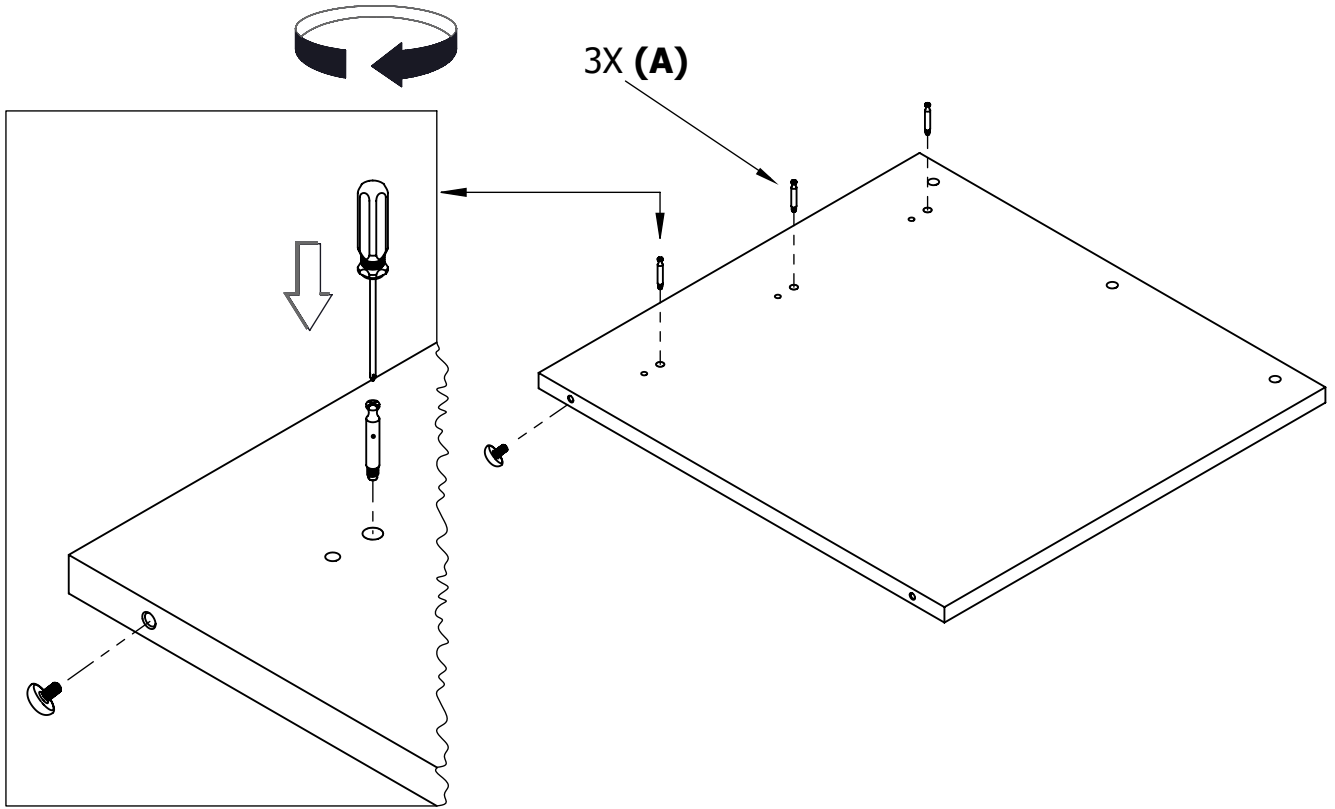


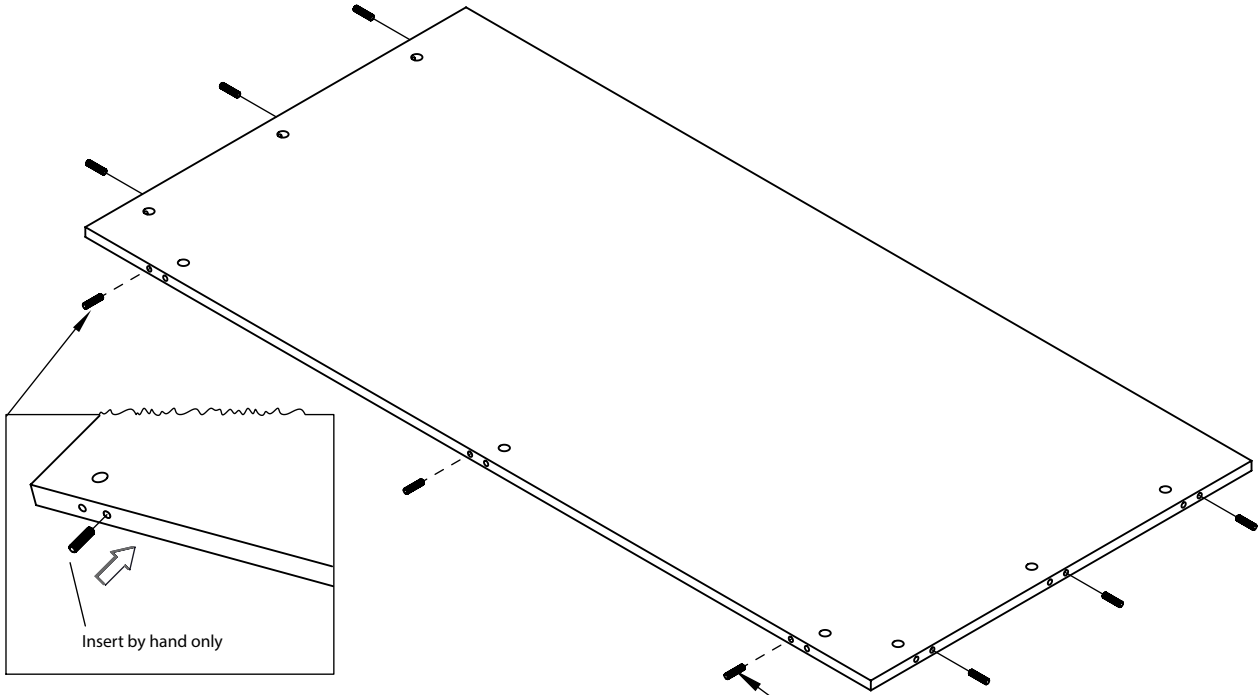
PARTS & HARDWARE

DESK SHELL

PART	QTY.	
MODESTY PANEL	1	
RIGHT SIDE END PANEL	1	
LEFT SIDE END PANEL	1	
TOP	1	
PART	QTY.	
A Metal Pin	15	
B Cam Lock	15	
C Set Screw	15	
D Cap Sticker	15	
E Adjustable Glide	4	
F Wood Dowel	15	
G Grommet Hole Cover	2	

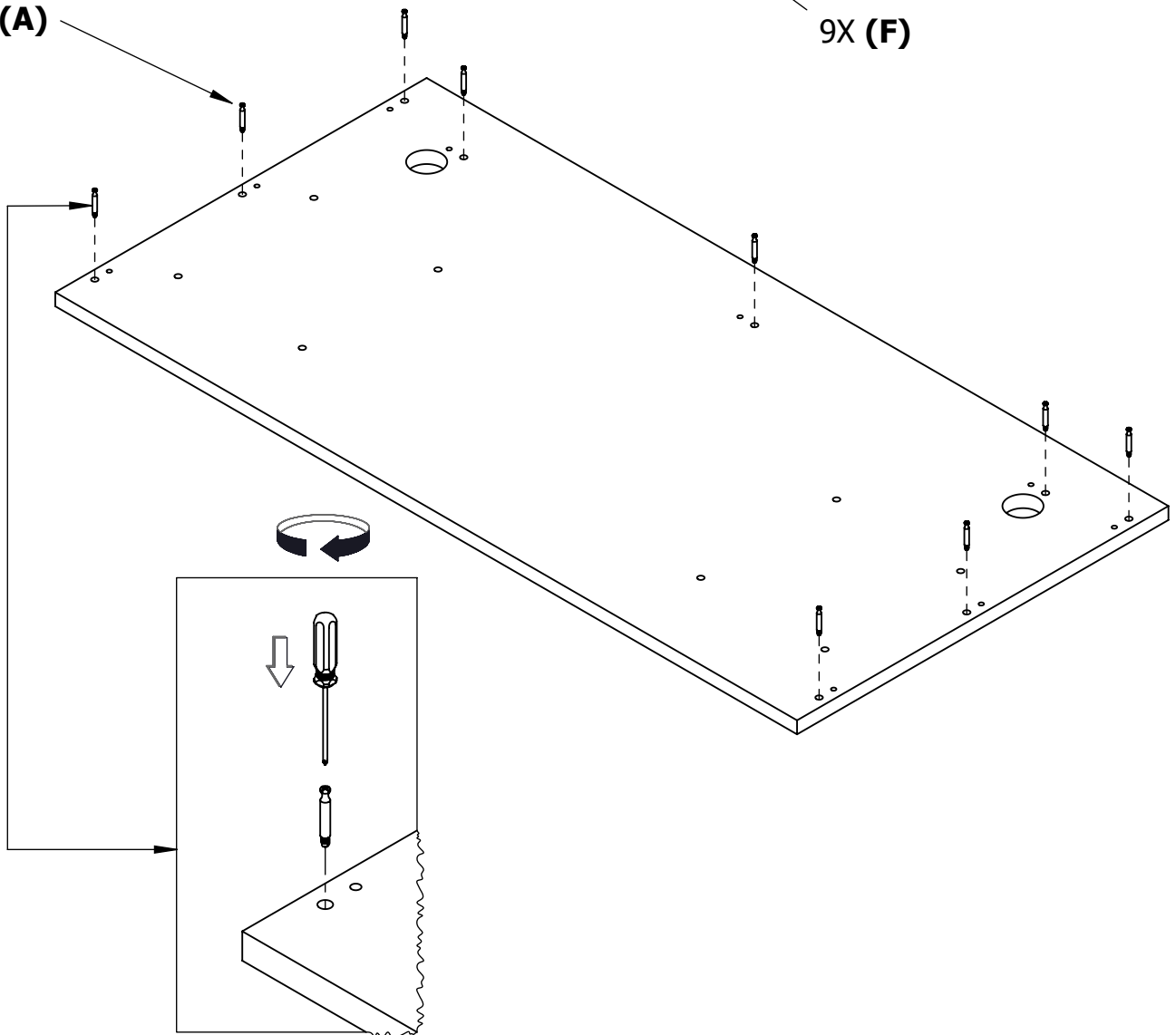
Complete this step for both the left and right end support.





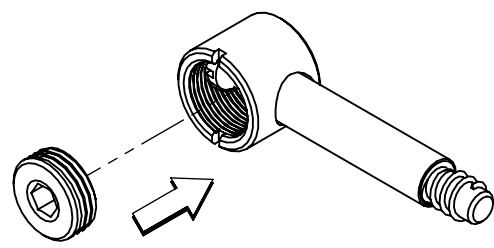
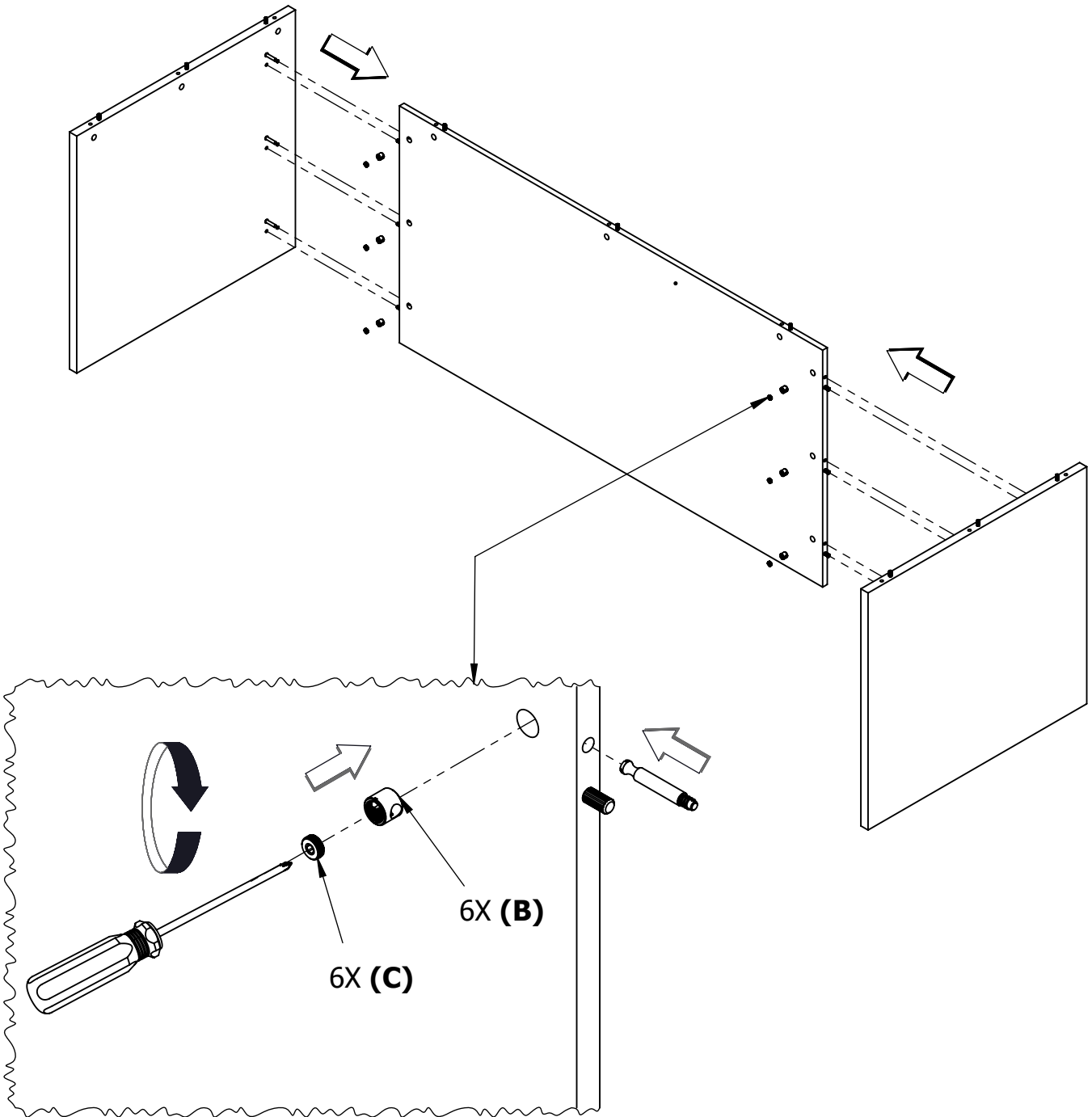
9X (A)

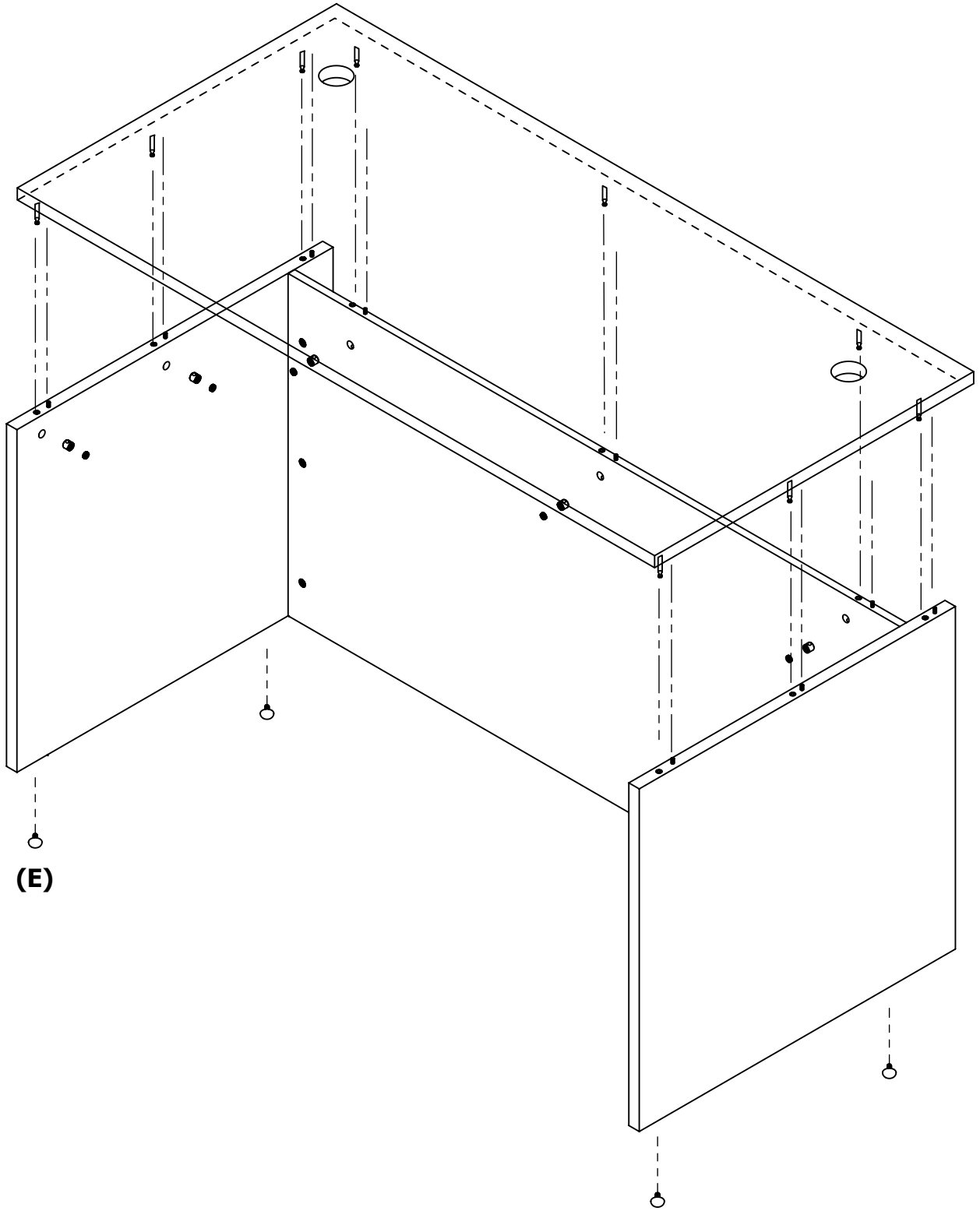
9X (F)



3. ASSEMBLE END SUPPORTS TO MODESTY

DESK SHELL





Note: Place cap stickers (D) on any exposed holes.

