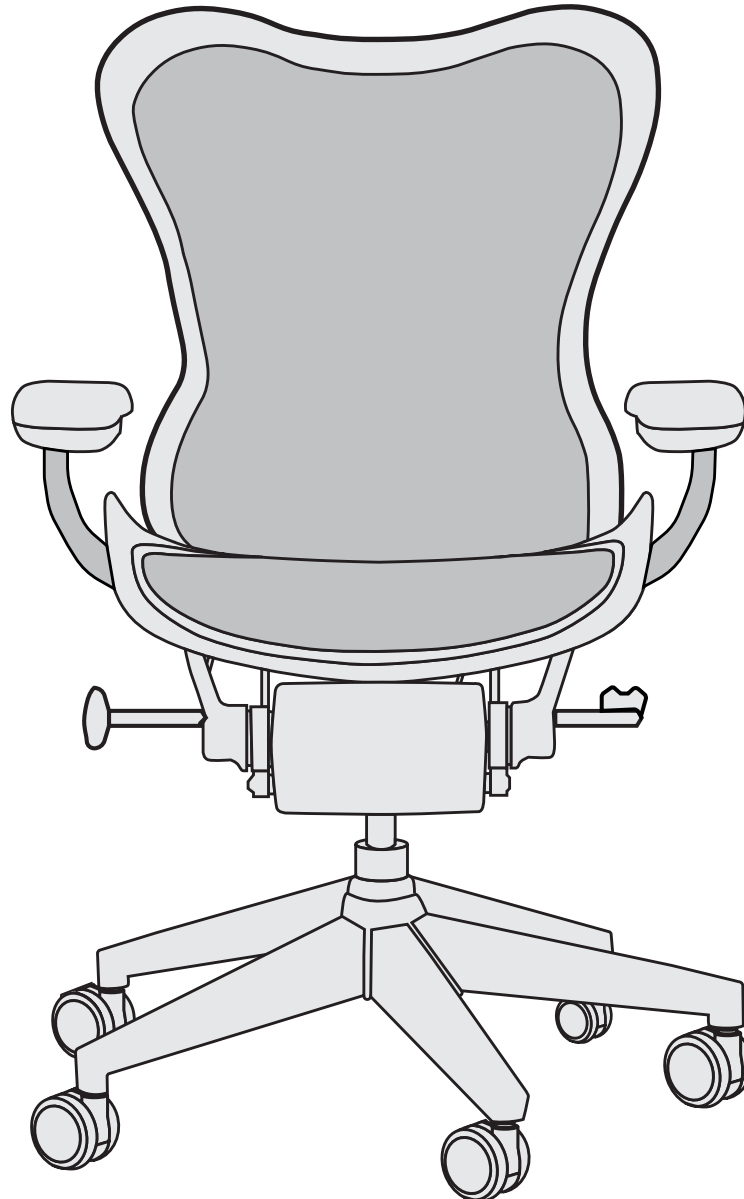




SYSTEMS
Office Furniture

Refurbished Herman Miller Mirra v2

Partial Assembly



**Assembly
Code: 17-1**

Have a question or need help with assembly? Reach out to us.

Monday - Friday
8:00 am - 5:00 pm CST
979.776.2100
SystemsOffice.com

If you are missing parts or discover defects and/or damage while assembling this product, you could be eligible for a replacement free of charge. We are always here to help.

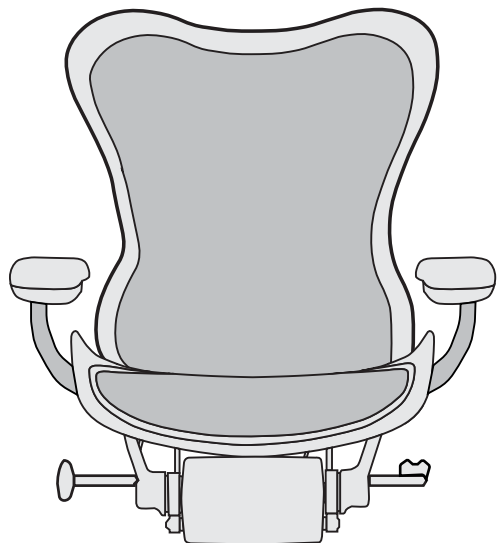
Visit Our Assembly Page



SystemsOffice.com/assembly

What's in the box?

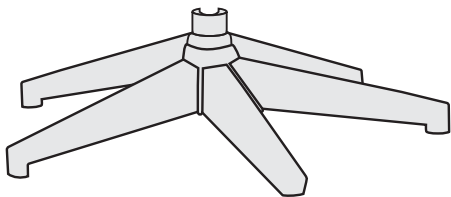
Partially Assembled Chair Body



Cylinder



5 Star Base

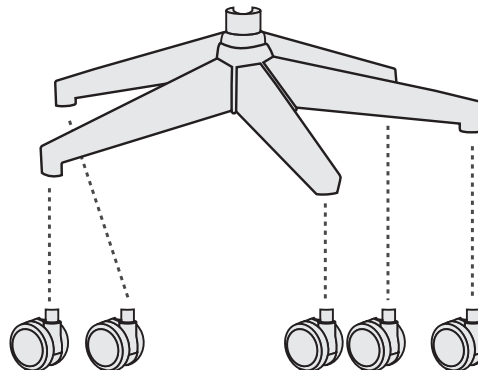


Casters



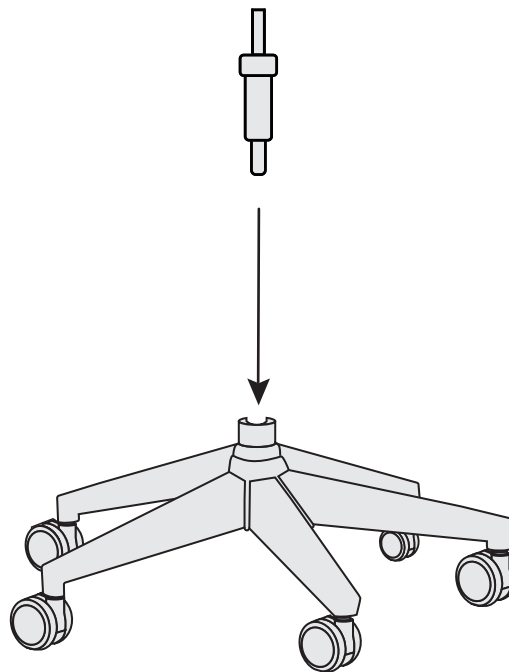
Step One

Press all (5) **Casters** into the **5-Star Base** until they snap into place.



Step Two

Insert the **Cylinder** into the **5 Star Base**.



Step Three

Place the **Chair Body** on the **Cylinder**.
Sit in the chair after assembly to ensure the is locked into place. Enjoy!

