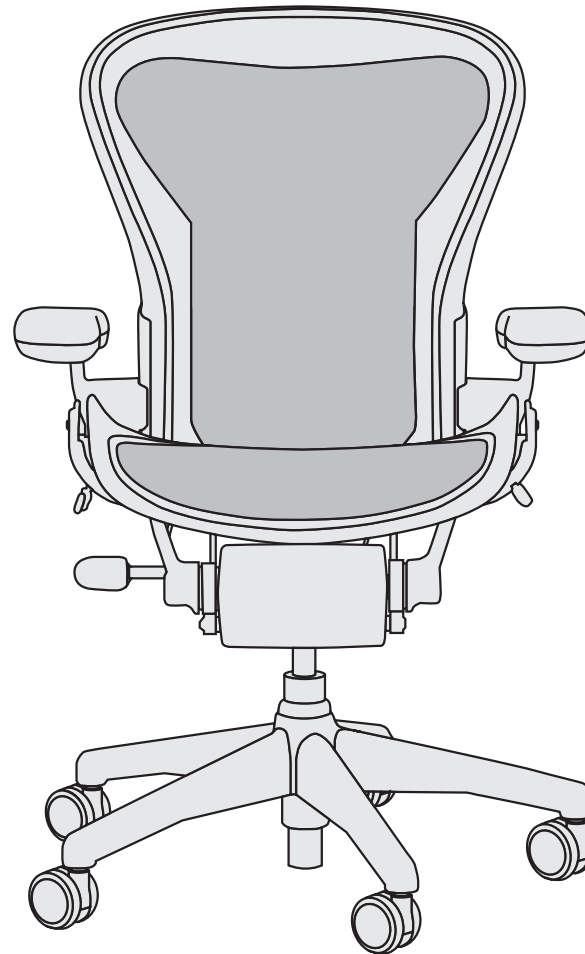
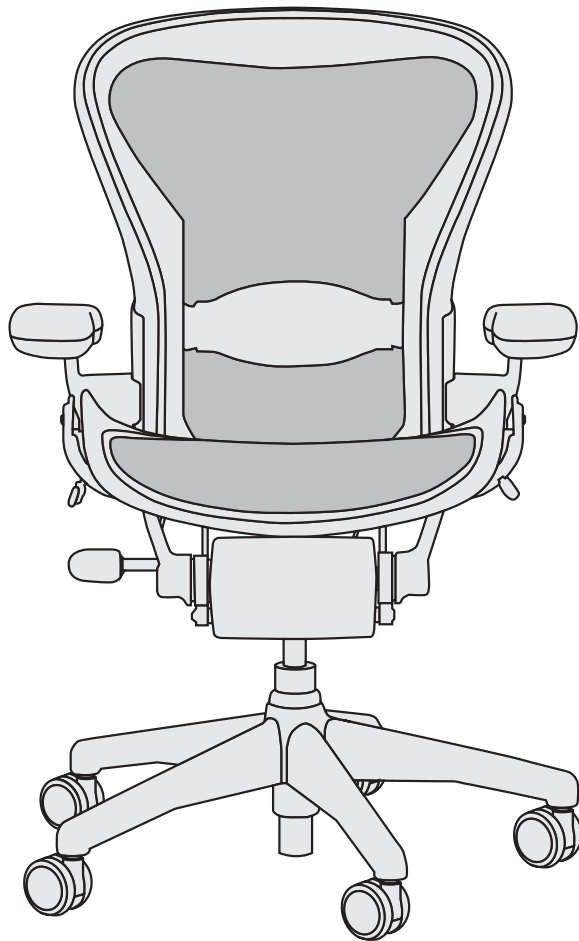




SYSTEMS
Office Furniture

Remanufactured Herman Miller Aeron

Classic with or without Lumbar



**Assembly
Code: 5-1**

Have a question or need help with assembly? Reach out to us.

Monday - Friday
8:00 am - 5:00 pm CST
979.776.2100
SystemsOffice.com

If you are missing parts or discover defects and/or damage while assembling this product, you could be eligible for a replacement free of charge. We are always here to help.

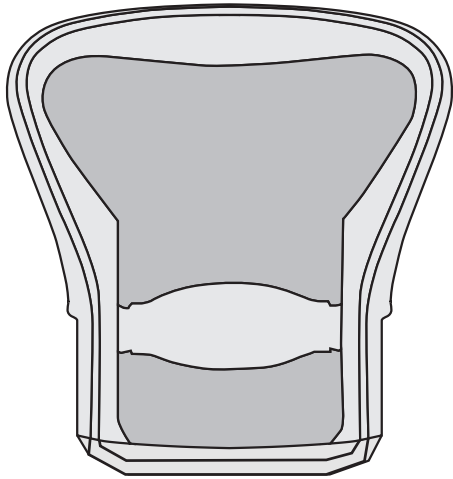
Visit Our Assembly Page



SystemsOffice.com/assembly

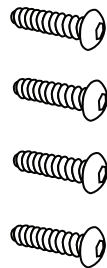
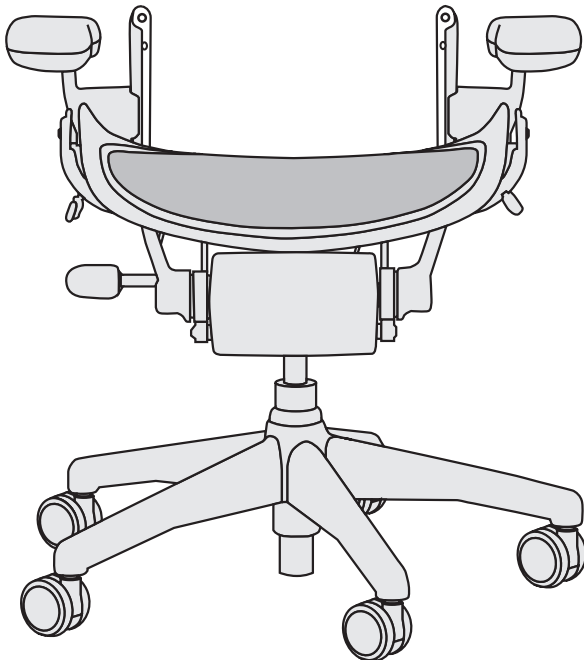
What's in the box?

Seat Back



Allen Key

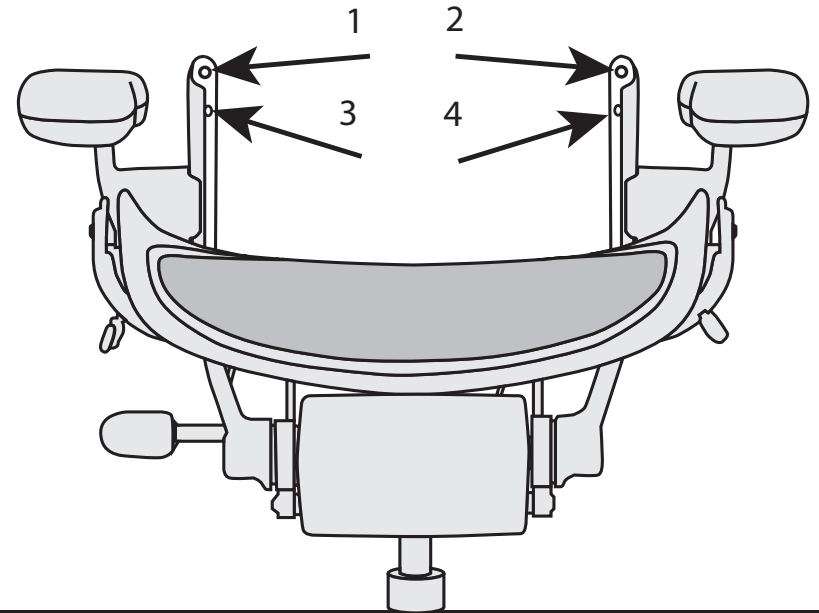
Partially Assembled Seat Base



Seat Bolts (4)

Step One

Place the base on the floor and line the **Seat Back** up with all four holes.



Step Two

Hand tighten the screws to set them in place. Starting at the top, use the provided Allen Wrench to tighten all 4 screws counter-clockwise. Enjoy!

