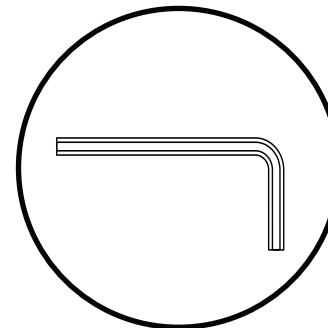
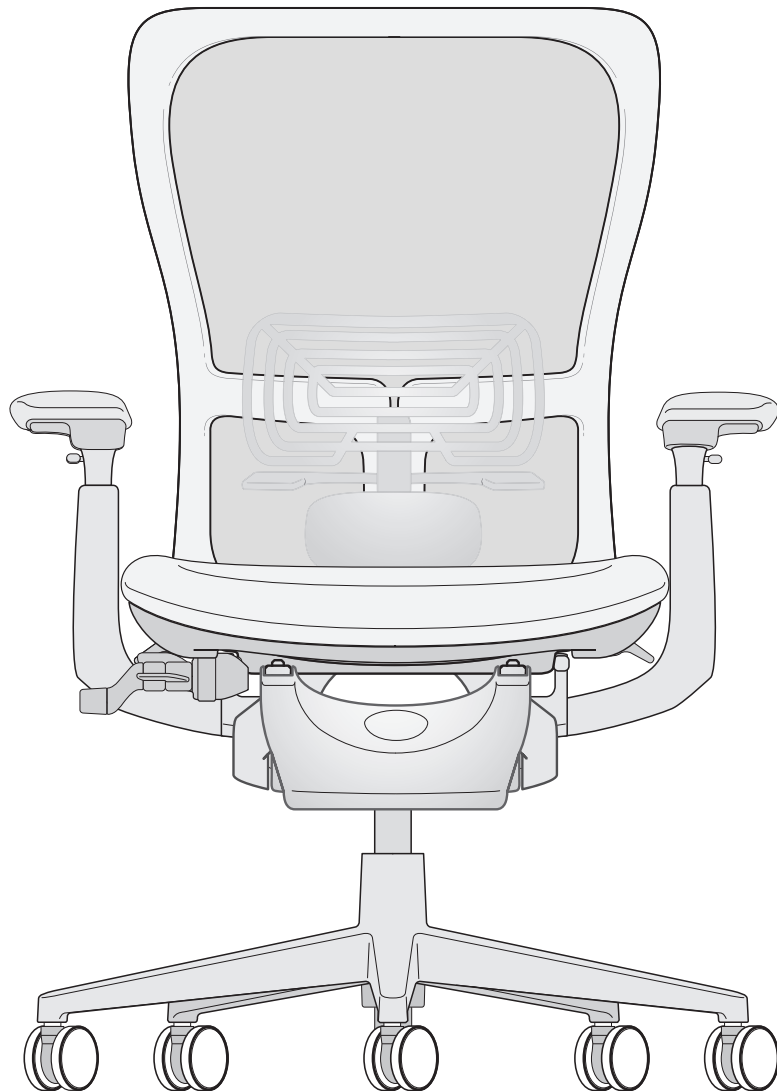




**SYSTEMS**  
Office Furniture

# Remanufactured Haworth Zody

Multi-Part Assembly



Included

**Assembly  
Code: 3-1**

Have a question or need help with assembly? Reach out to us.

Monday - Friday  
8:00 am - 5:00 pm CST  
**979.776.2100**  
SystemsOffice.com

If you are missing parts or discover defects and/or damage while assembling this product, you could be eligible for a replacement free of charge. We are always here to help.

**Visit Our Assembly Page**



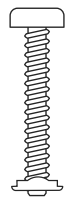
[SystemsOffice.com/assembly](https://SystemsOffice.com/assembly)

# What's in the box?

Seat Back & Lumbar



Allen Key



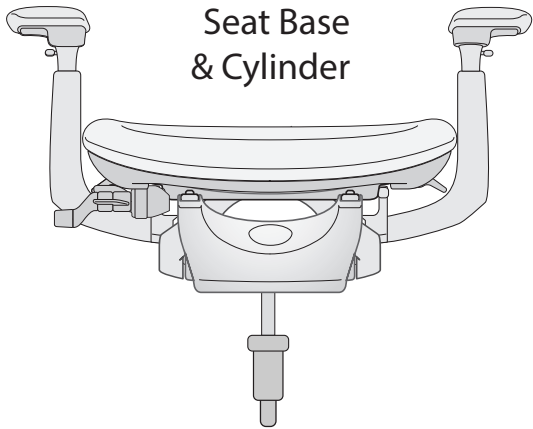
Bolt with Nut

OR

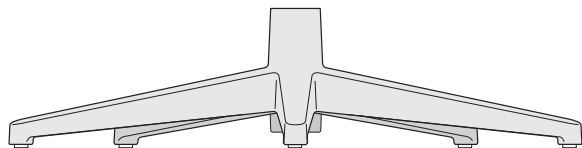


Bolt with Nut & Brace

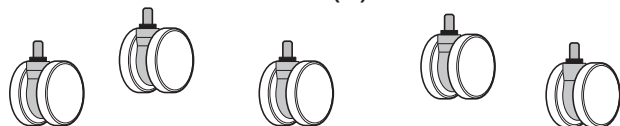
Seat Base & Cylinder



5 Star Base

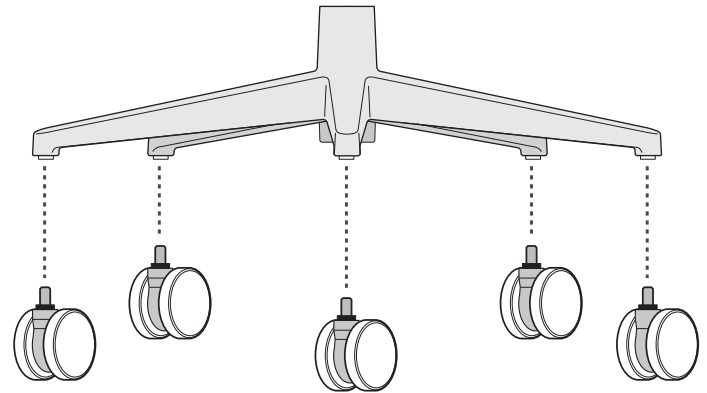


Casters (5)



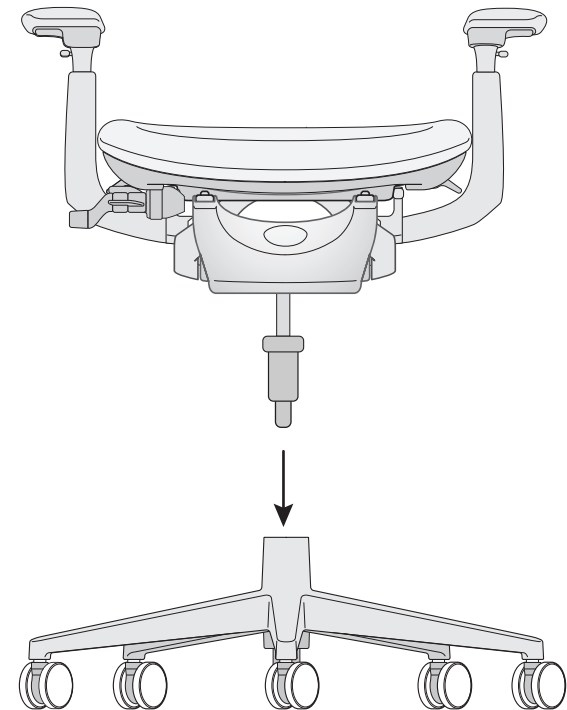
## Step One

Press all (5) casters into the base until they snap into place.



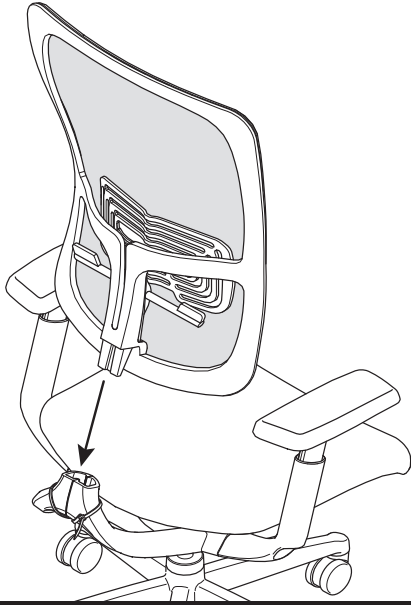
## Step Two

Insert the Seat Base & Cylinder into the 5 Star Base.



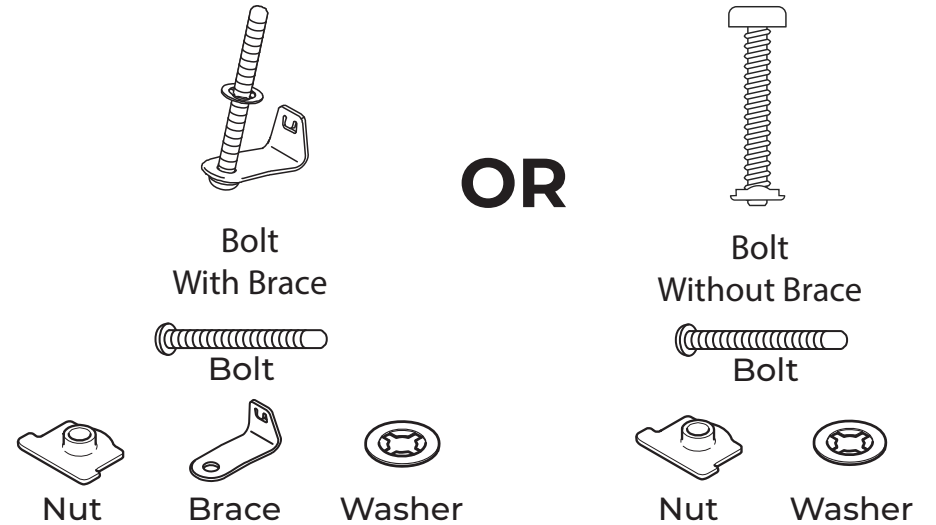
## Step Three

Insert the **Seat Back & Lumbar** into the **Seat Base**.



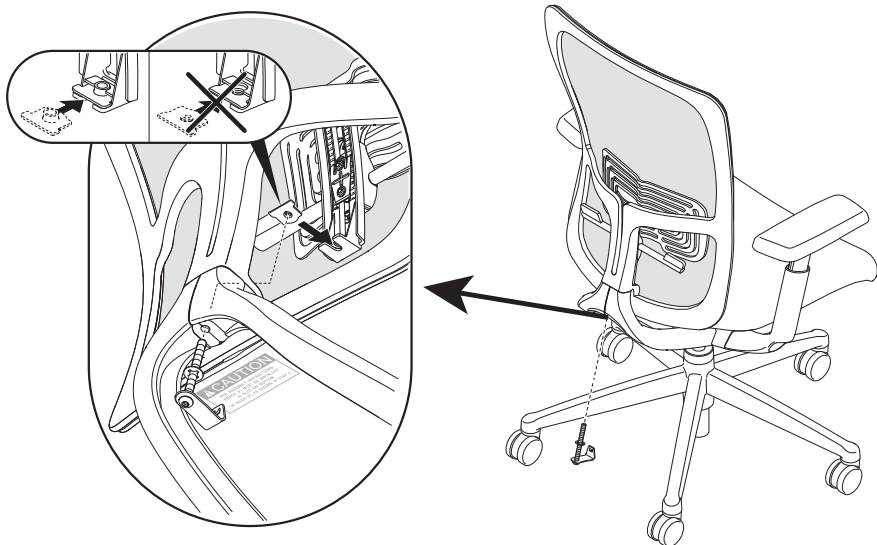
## Step Four

Separate the parts of the combination bolt for Step Five.  
**NOTE:** If the brace is included in your version of the chair, there is no need to remove it, just the washer and nut.



## Step Five

Secure the Seat Back into the 5 Star Base by inserting the Nut into the lumbar support and the Bolt with Brace and Washer into the the Base.



## Step Six

Use the Allen Key to tighten the Bolt once it is in place then your chair is good to go.

