



SYSTEMS
Office Furniture

Refurbished Steelcase Cobi Stool

Multi-Part Assembly



**Assembly
Code: 2-1**

Have a question or need help with assembly? Reach out to us.

Monday - Friday
8:00 am - 5:00 pm CST
979.776.2100
SystemsOffice.com

If you are missing parts or discover defects and/or damage while assembling this product, you could be eligible for a replacement free of charge. We are always here to help.

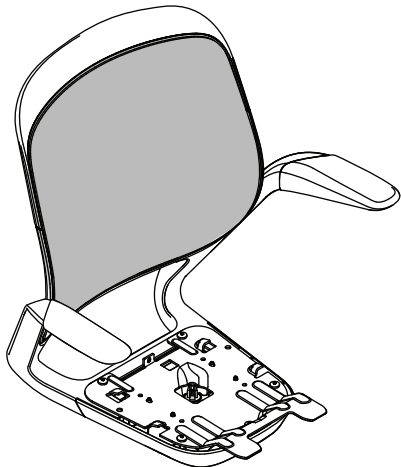
Visit Our Assembly Page



SystemsOffice.com/assembly

What's in the box?

Chair Frame



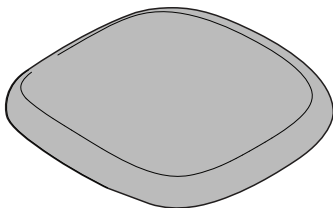
#2 Screwdriver



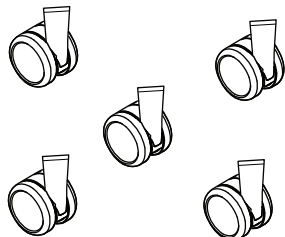
Set Screw



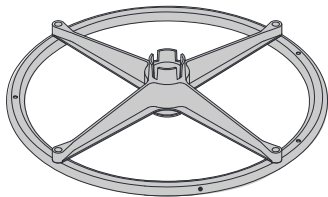
Seat Pan



Casters (5)



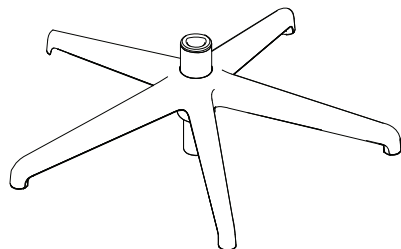
Foot Rest



Cylinder

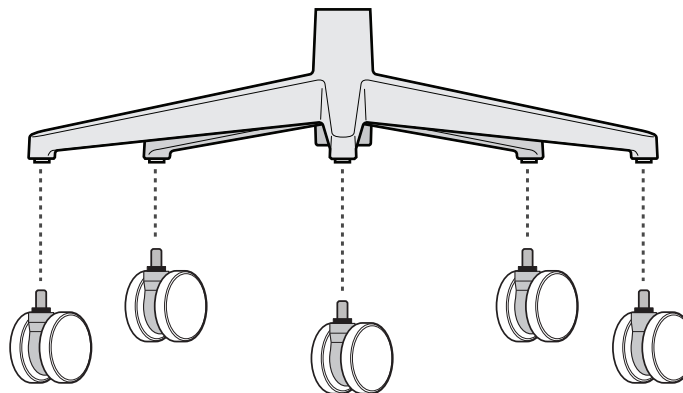


Five-Star Chair Base



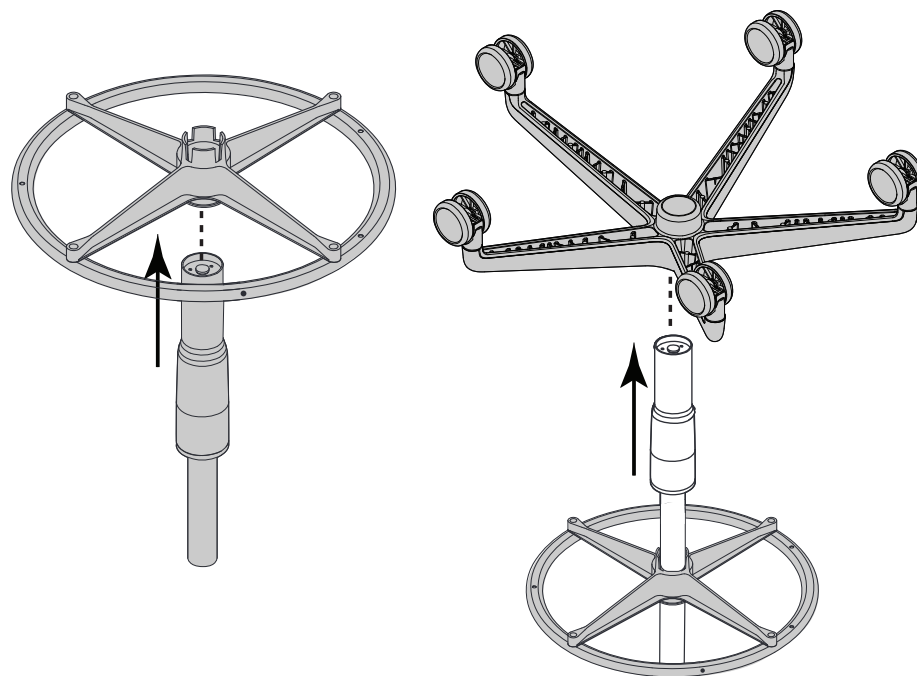
Step One

Place all components on a flat surface. Snap all **Casters** into the **Five-Star Chair Base**.



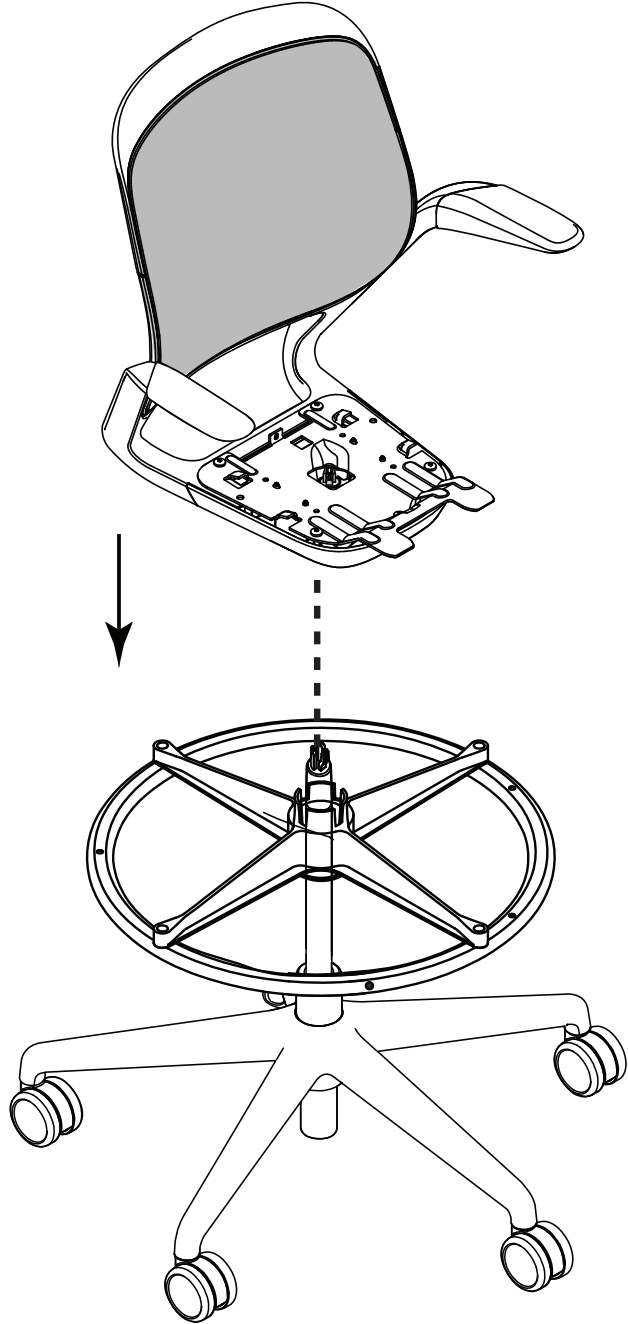
Step Two

Slide the **Foot Rest** onto the **Cylinder** then place the **Cylinder** into the **Five-Star Chair Base**.



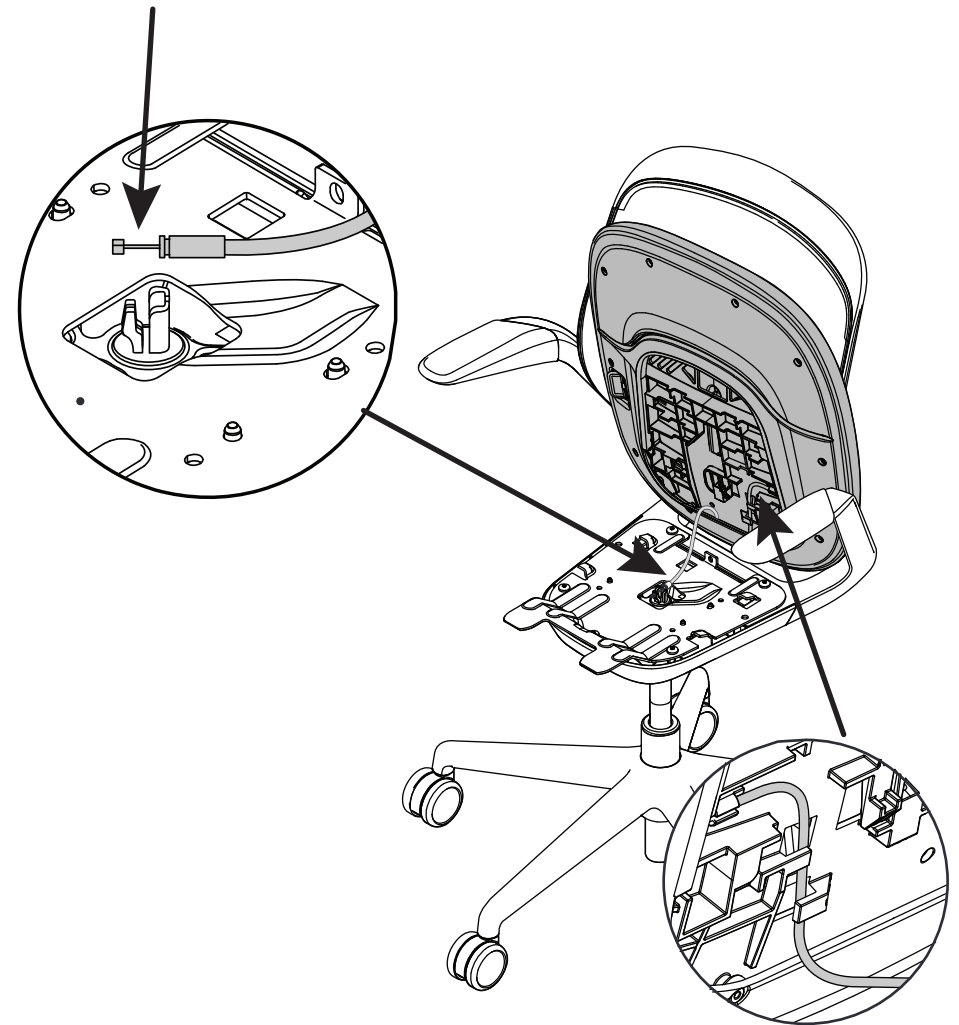
Step Three

Place the Chair Frame down onto the Cylinder.



Step Four

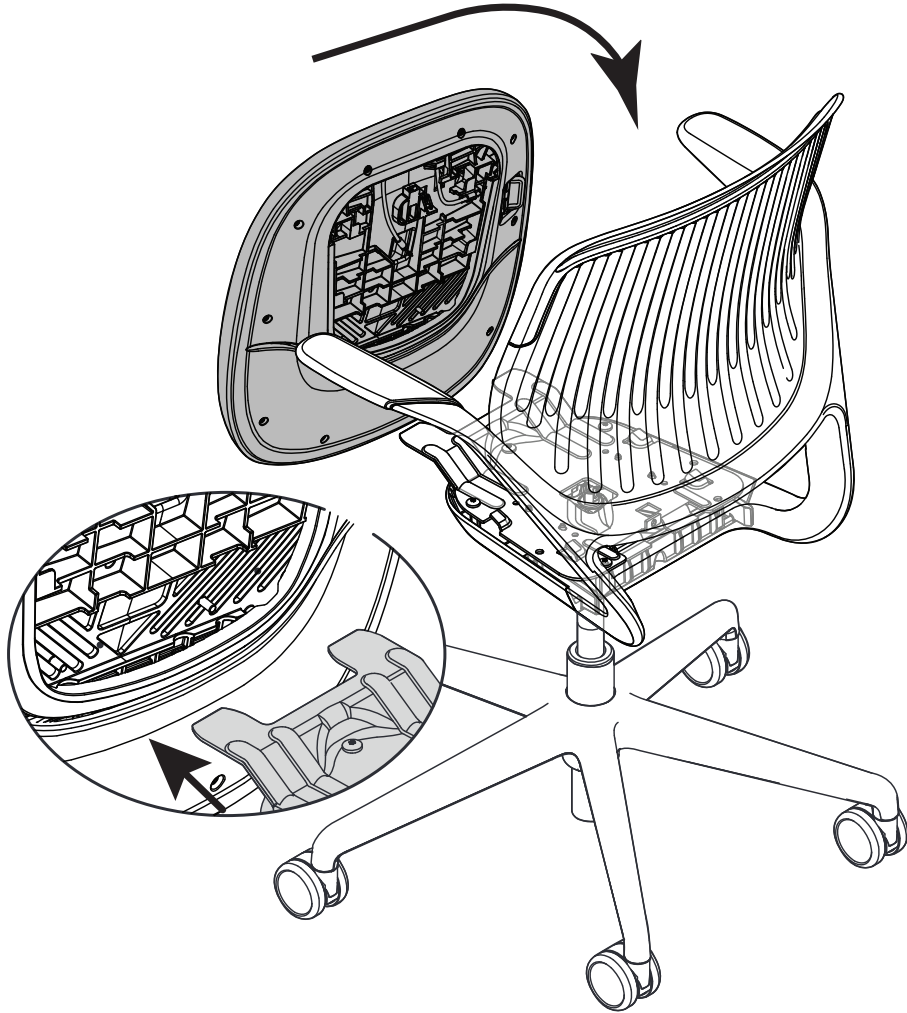
Attach the cable on the bottom of the Seat Pan to the Cylinder actuator.



Step Five

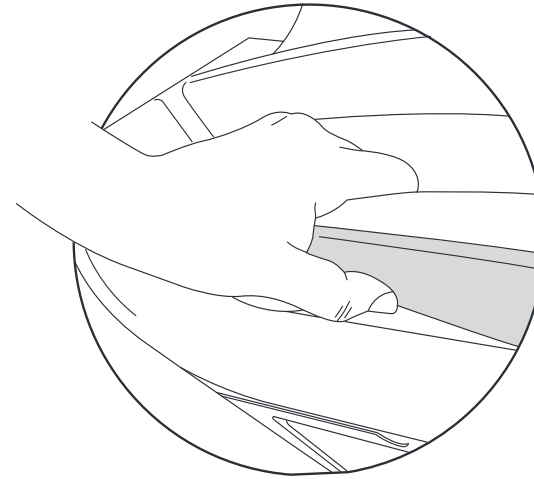
Snap the **Seat Pan** into the **Chair Frame**.

Note: Patience is key here, this step can be a little difficult. The Seat Pan will slide back toward the chair back and lock down into place.



Step Six

Optional: Use the provided **Screwdriver #2** to screw the **Set Screw** into place between the **Seat Pan** and the **Chair Base**.



Lift Up The Outer Shell of the Seat

