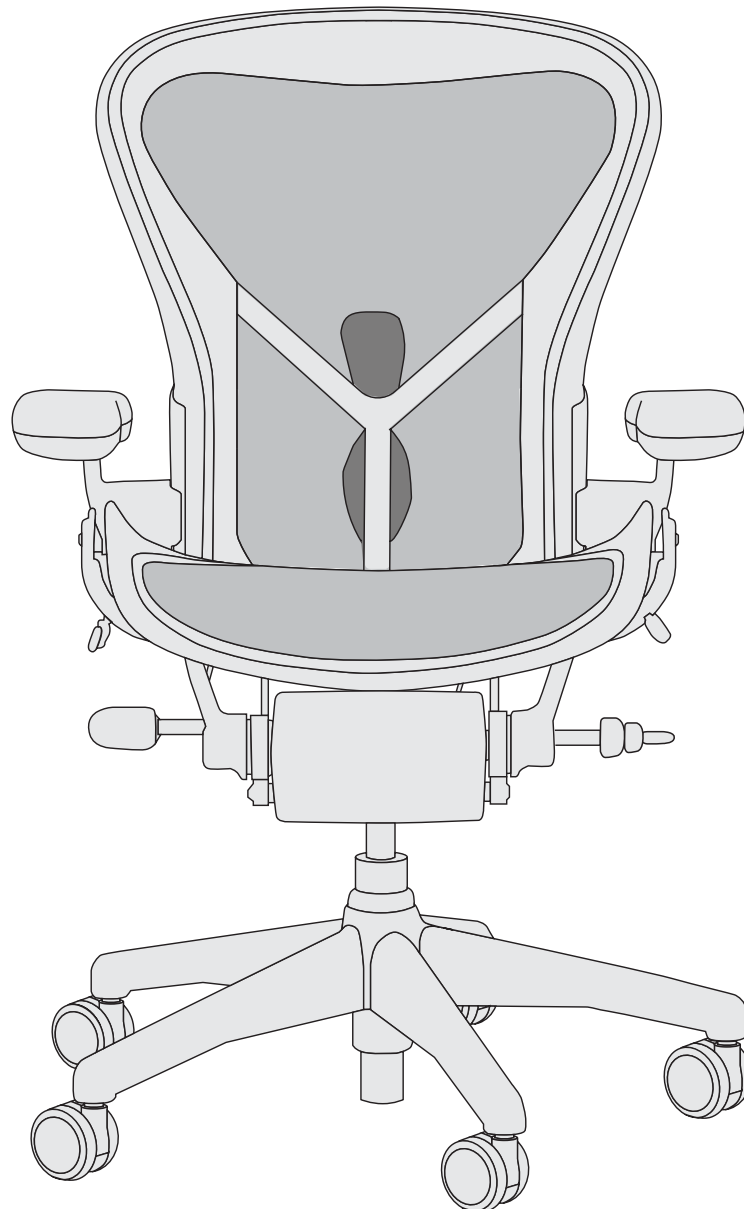




SYSTEMS
Office Furniture

Remanufactured Herman Miller Aeron
Remastered Posturefit SL



**Assembly
Code: 14-1**

Have a question or need help
with assembly? Reach out to us.

Monday - Friday
8:00 am - 5:00 pm CST
979.776.2100
SystemsOffice.com

If you are missing parts or
discover defects and/or damage
while assembling this product,
you could be eligible for a
replacement free of charge. We
are always here to help.

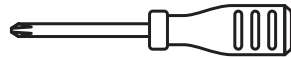
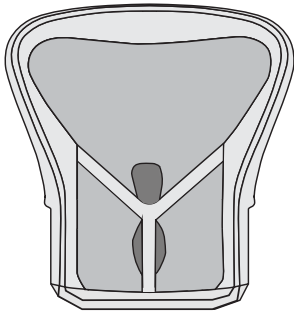
Visit Our Assembly Page



SystemsOffice.com/assembly

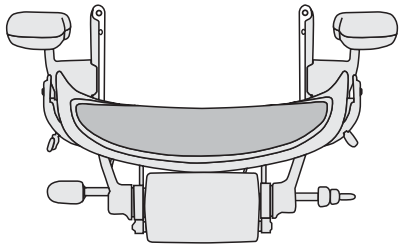
What's in the box?

Seat Back



#2 Screwdriver

Partially Assembled Seat Base

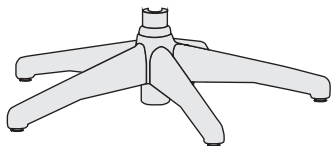


Allen Key

Cylinder



5 Star Base



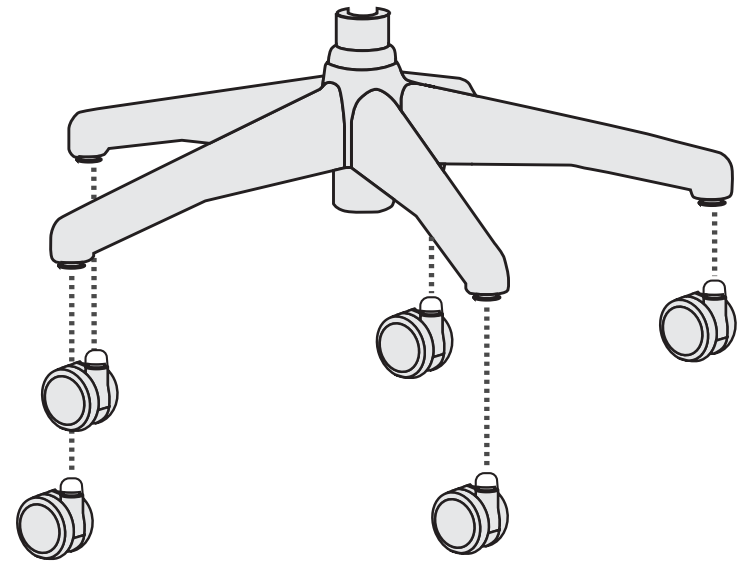
Seat Bolts (4)

Casters (5)



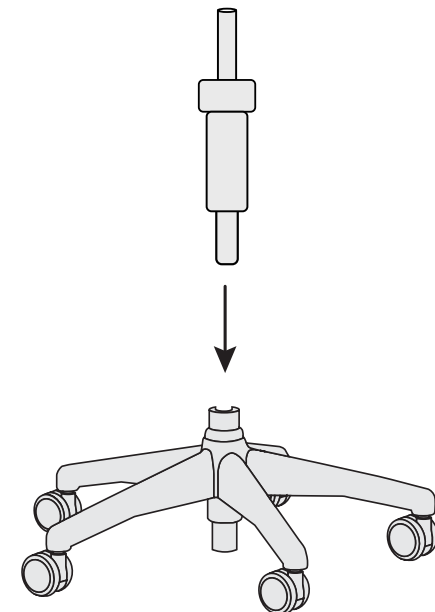
Step One

Press all (5) casters into the base until they snap into place.



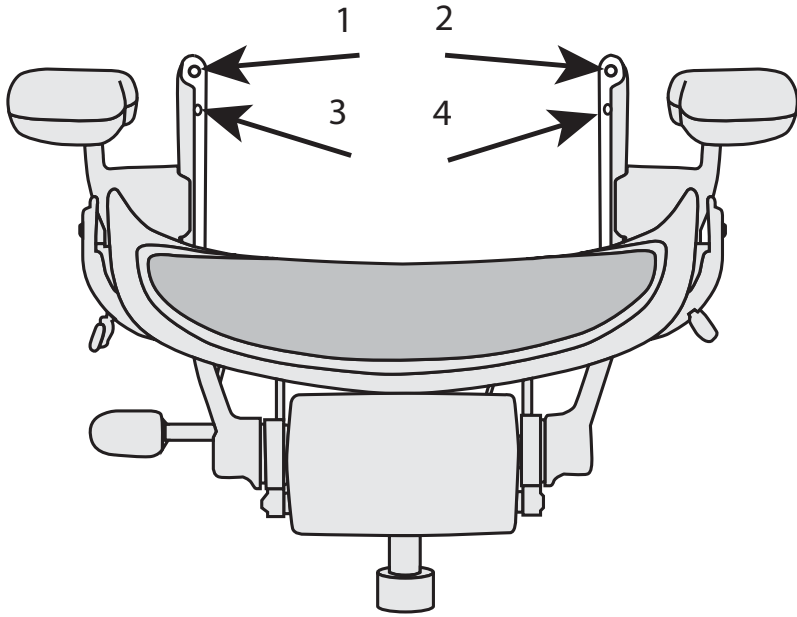
Step Two

Insert the Cylinder into the 5 Star Base.



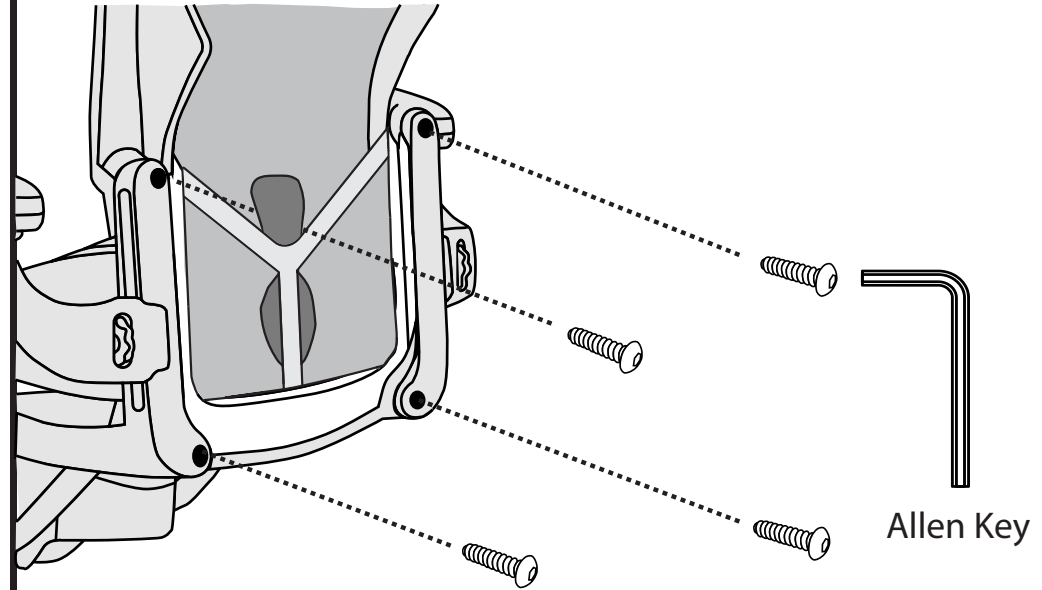
Step Three

Place the base on the floor and line the **Seat Back** up with all four holes.



Step Four

Hand tighten the screws to set them in place. Starting at the top, use the provided Allen Wrench to tighten all 4 screws counter-clockwise.



Step Five

Enjoy your chair!

