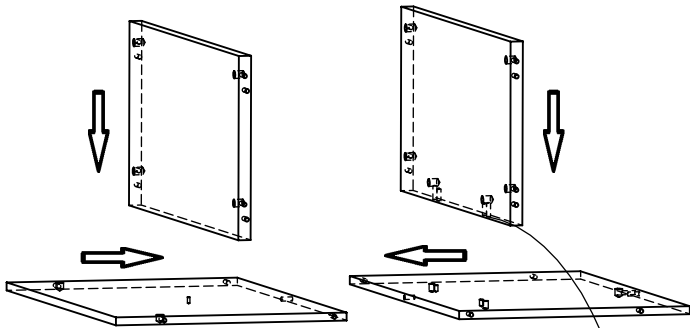


MODEL# KD-H36
36" OPEN HUTCH
ASSEMBLY INSTRUCTIONS

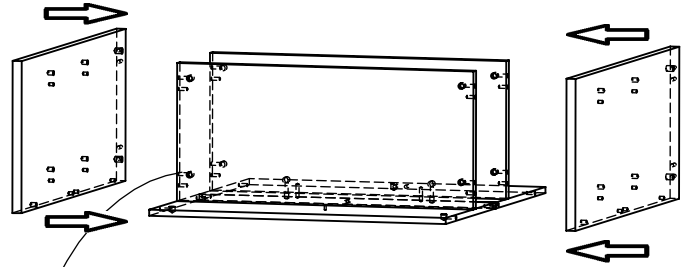


A Metal Cam Lock 15 pcs.	B Lock Cylinder 15 pcs.	C Cap Sticker 15 pcs.	D Wood Dowel 15 pcs.	E Connecting plate 2 pcs.	F Screw 8 pcs.
G Screw 1 pcs.	1, 2 2 - Back	3, 4 2 - Fixed Shelf	5 1 - Left Side	6 1 - Right Side	7 1 - Top

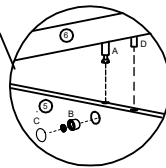
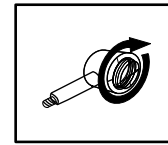
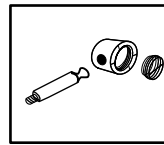
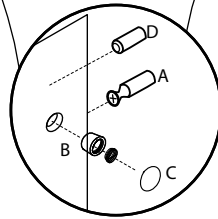
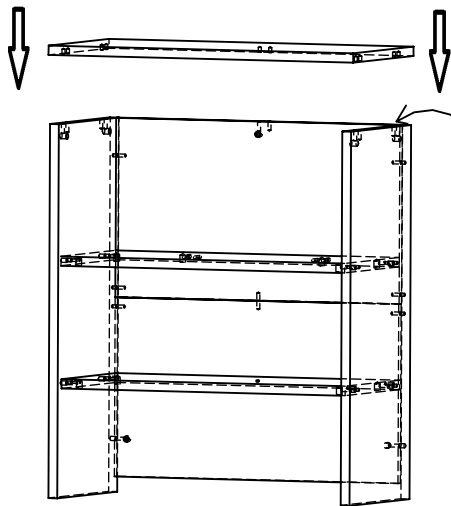
Step 1:



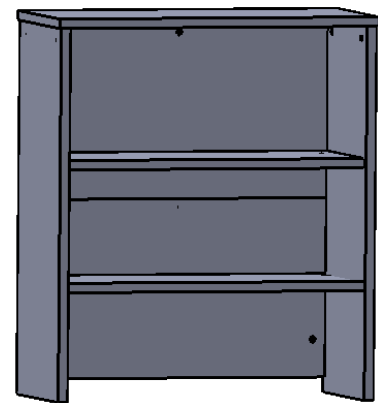
Step 2:



Step 3:



COMPLETED ASSEMBLY



Note:

- Place all laminated parts on a clean and smooth surface such as a rug or carpet to avoid the parts from being scratched.
- Check to be sure that you have all parts and hardware.
- Remove all wrapping materials, including staples & packing straps before you start to assemble.
- Line up holes for cam locks.
- Put on sticker caps last.
- Keep all hardware parts out of reach of children.