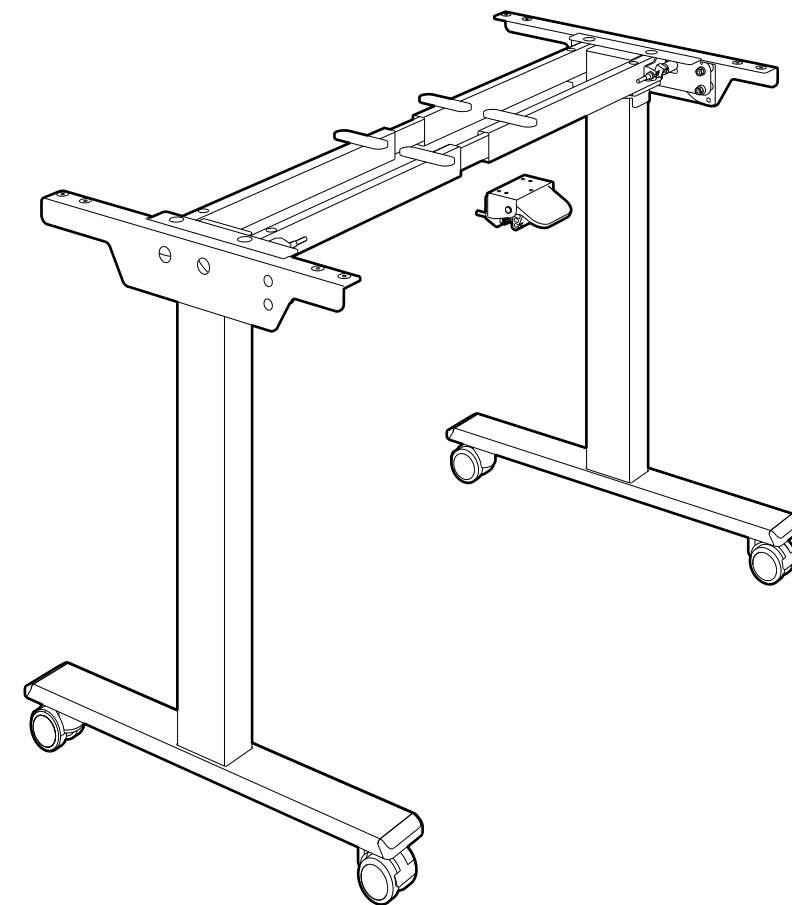


CONNECT

ITEM NO.: NFT4872

Installation guide



< The pictures below are for reference only, please refer to the actual product. >
Please read this product manual carefully before use, and keep it properly.

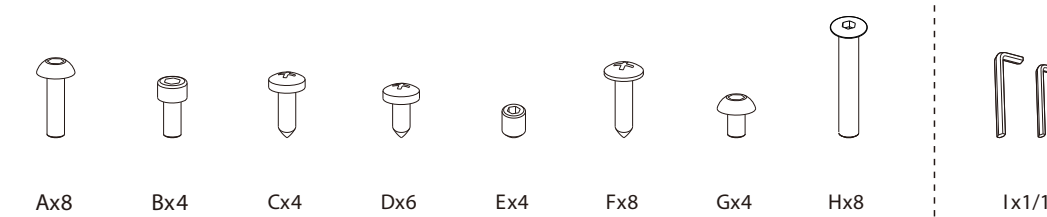
Technical Data

| | |
|--------------------|----------------------|
| Max. Load Capacity | 154 lbs |
| Tilting Angle | 0°/90° |
| Width Range | 47.24 - 68.89 inches |
| Max. Desktop Size | 72x30x1 inches |

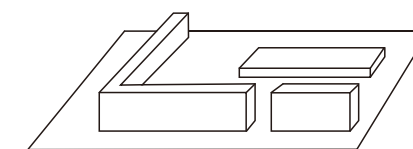
Product List

Accessory List

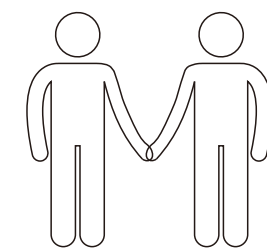
Attention: The drawings below are for guidance only and they may differ slightly from the product and fittings received. Please contact customer service if there are any missing tools or installation problems.



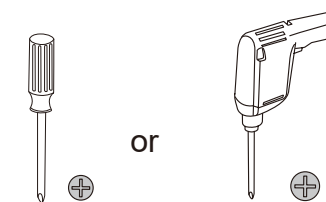
Preparation before installation



Install on carpet to prevent scratches.



Need two or more people to cooperate together.

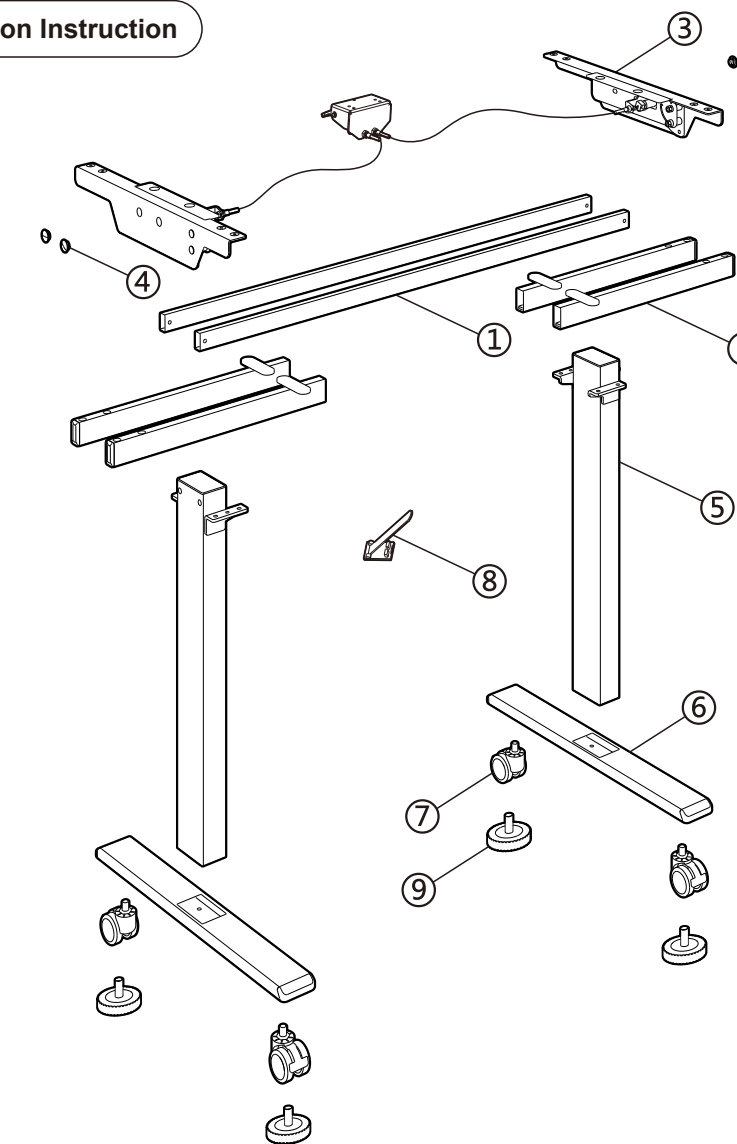


Bring your own Phillips screwdriver or pistol drill.

Part List

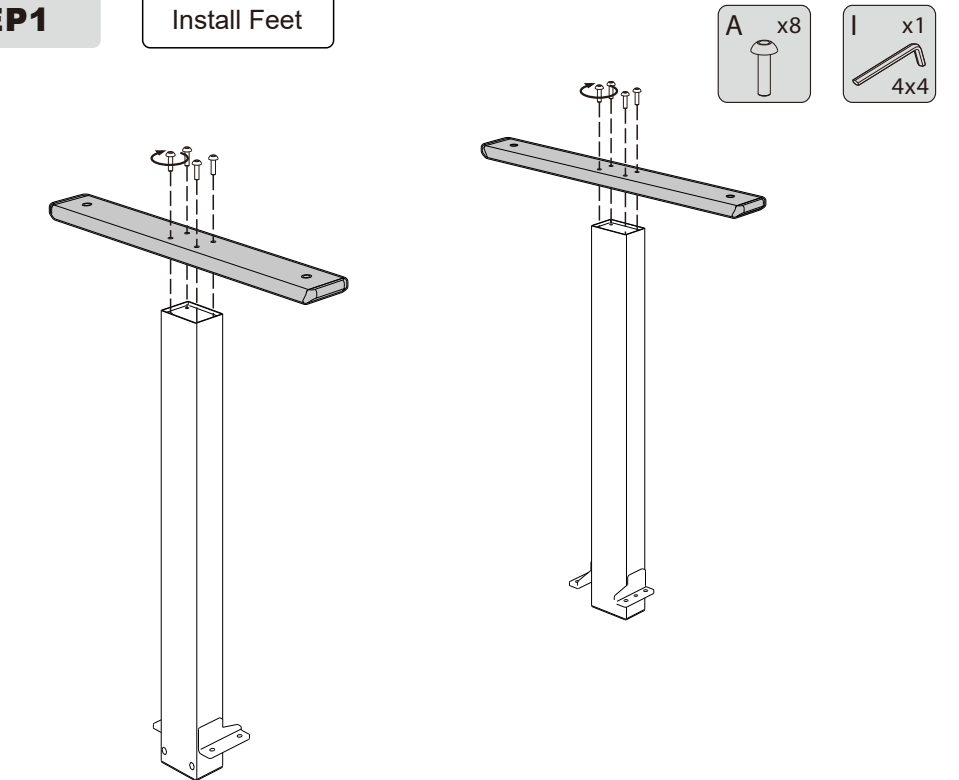
| No. | Part | No. | Part |
|-----|-------------------------------|-----|---|
| ① | Beam connecting rod x2 | ⑥ | Foot x2 |
| ② | Beam x4 | ⑦ | Caster (2 with brake) x4 / Allen key x1 |
| ③ | Supporting plate component x1 | ⑧ | Cable tie x6 |
| ④ | Spout plug x4 | ⑨ | Foot pad x4 |
| ⑤ | Lifting column x2 | | |

Installation Instruction

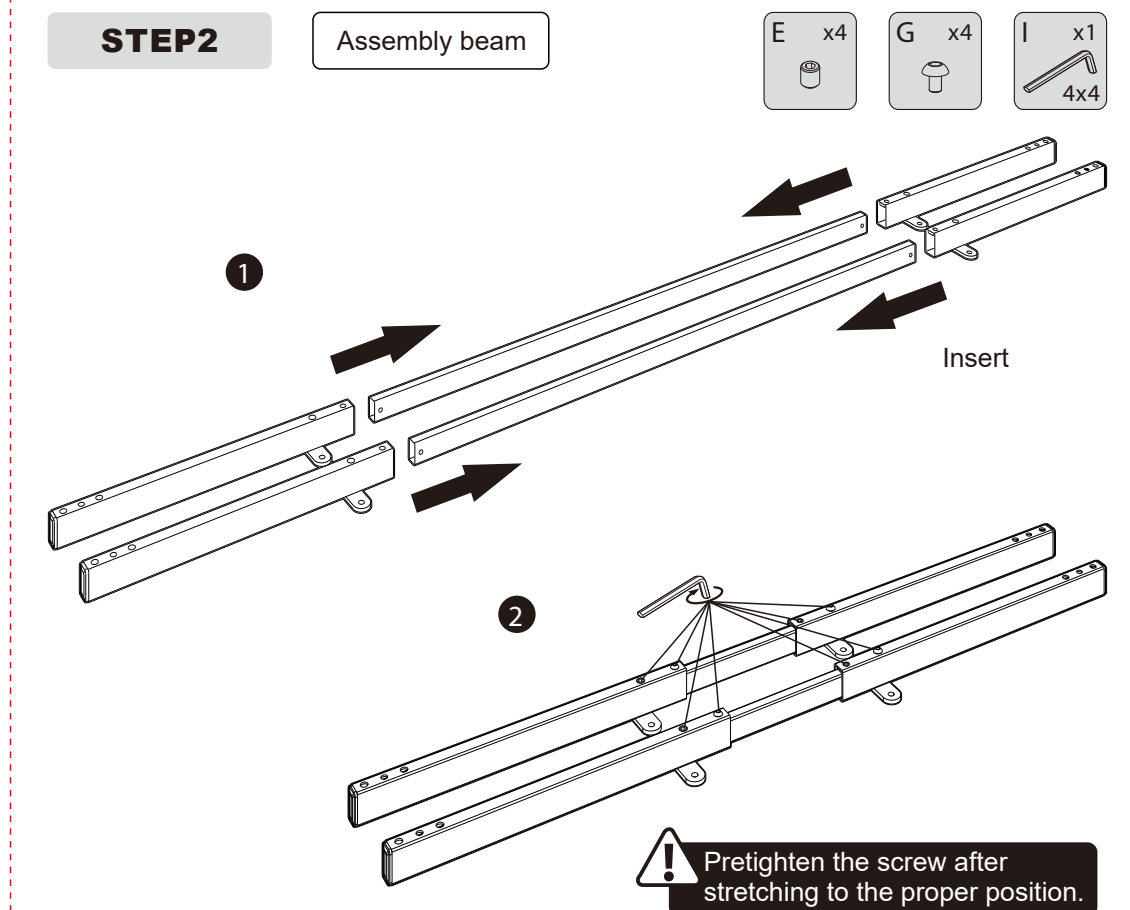


Installation Steps

STEP1 Install Feet



STEP2 Assembly beam



(Just a note, not printed) Reverse side; Size: 150x285mm; Four-fold page

STEP3 Install the beam

H x4 I x1
5x5

STEP4 Install supporting plate component

E x4 H x4 I x1
5x5

! The cable must run down the center of the support beam so it does not pinch when top is installed.

1 Tighten the screw H

2 Tighten the screw B

Spout plug

3 Cover the spout plug

STEP5 Install the tabletop

C x4 F x8 I x1
4x4 Self-prepared

! Loosen the screws and adjust the beam length according to the table width.

! Remarks: It is recommended that the distance between the base and edge of the top is no more than 3 inches on each side. Maximum top width 72 inches.

Install the tabletop Cable ties ⑧ can be used to fix the connecting wires on the table to keep the cables tidy.

Tear off Manage Fix

STEP6 Install Casters or Leveling Glides

! Use Casters to make unit Mobile or Glides for Stationary Unit

The front wheels are with brakes.

Handle Instructions

! Please adjust the handle according to actual needs. While turning the handle upwards, press the table with both hands to turn it to a vertical angle. Release the handle. When you hear a "pop", it means that the table is locked and the adjustment is completed.

! When adjusting the table, please check whether there are objects placed on the table to avoid damage.

Warning

There's spare parts in the package, which will lead to asphyxia if swallowed by accident. Please keep out of the reach of children for the spare parts.

Make sure you have read and comprehend the manual for installation. Please contact the specialized persons if there's any confusion in the steps.

Children are forbidden to play on the product because of unforeseen action when playing, so any dangerous consequences caused by this improper action will not be on.

This appliance can be used by children aged from 7 years and above and persons with reduced physical, sensory or mental capabilities or lack of experience and knowledge if they have been given supervision or instruction concerning use of the appliance in a safe way and understand the hazards involved. Children shall not play with the appliance.

Children must not perform cleaning and user maintenance without supervision.

Please make sure there is no hazard sources in your operating environment. e.g., do not litter the tools around. Always be careful to treat the packaging materials in order to avoid any possible danger, e.g. plastic bag may lead to choking hazard to children.

Keep the original package of the equipment if necessary in case of the future use in transportation.

Waste disposal

This marking indicates that this product should not be disposed with other household wastes. To prevent possible harm to the environment or human health from uncontrolled waste disposal, recycle it responsibly to promote the sustainable reuse of material resources. To return your used device, please use the return and collection systems or contact the retailer where the product was purchased. They can take this product for environmental safe recycling.