



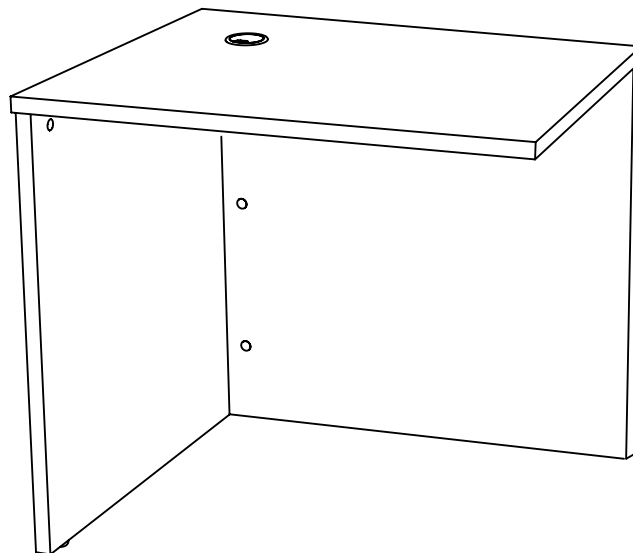
Scan Me  
to watch  
Assembly  
Instructions



*Kai*  
— By —  
*i5 Industries*

## Assembly: Return Shell

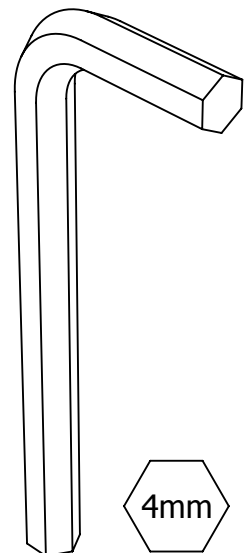
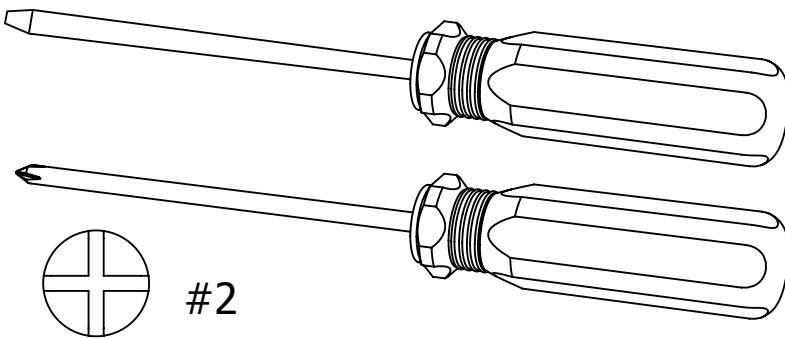
MODELS: R2040 20x40 Reversible Return  
R2436 24x36 Reversible Return  
R2442 24x42 Reversible Return  
R2448 24x48 Reversible Return



- Metal brackets and screws can be used for additional strength.
- Place all laminated parts on a clean and smooth surface such as a rug or carpet to avoid the parts from being scratched.
- Check to be sure that you have all parts and hardware.
- Remove all wrapping materials, including staples & packing straps before you start to assemble.
- Line up holes for cam locks.
- Put on sticker caps last.
- Keep all hardware parts out of reach of children.

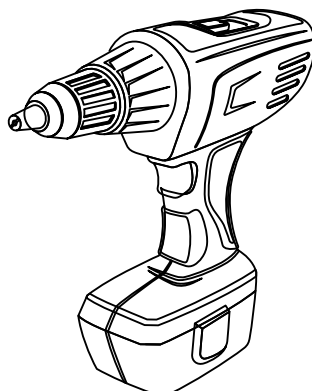
#### Required tools:

Flathead or Philips  
#2 Screwdriver



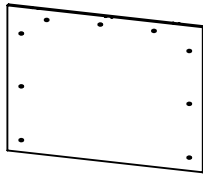
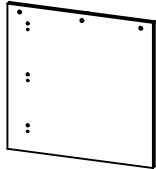
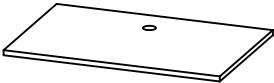
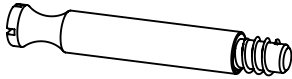


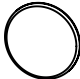



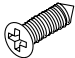
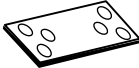
#### Recommended tools:

**Highly recommended when  
assembling: L-shape  
configuration or  
attaching pedestals**



## PARTS &amp; HARDWARE

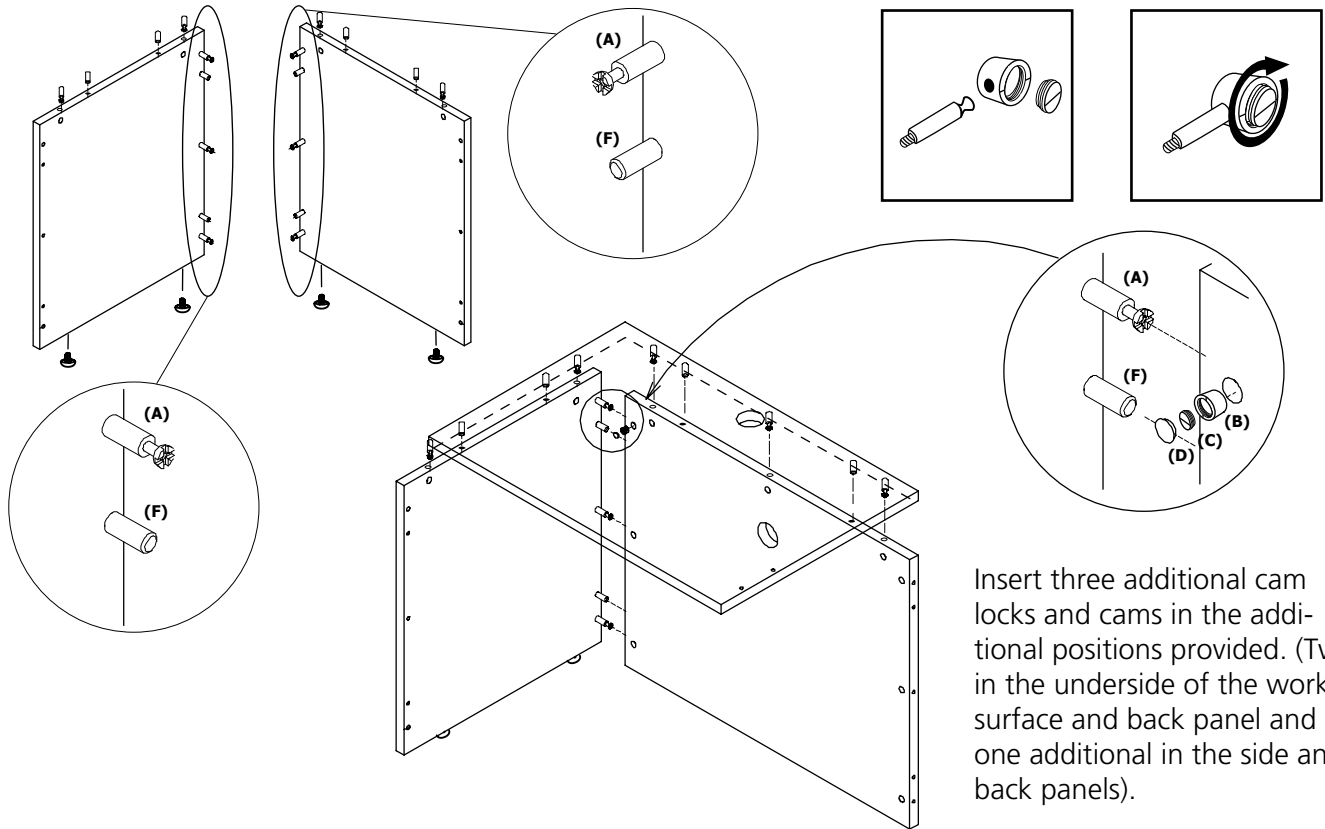
REVERSIBLE RETURN

PART	QTY.	
MODESTY PANEL	1	
END PANEL	1	
TOP	1	
PART	QTY.	
<b>A</b> Metal Pin	8	
<b>B</b> Cam Lock	8	
<b>C</b> Set Screw	8	
<b>D</b> Cap Sticker	15	
<b>E</b> Adjustable Glide	4	
<b>F</b> Wood Dowel	8	
<b>G</b> Grommet Hole Cover	2	
<b>K</b> Screw	12	
<b>S</b> Flat Bracket	2	

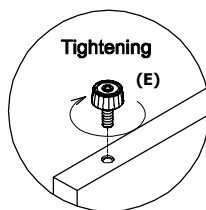
**These instructions detail if the return is to be positioned on the left side if you are sitting at the desk. If you wish for the return to be positioned on the right, you need to reverse the position of the items accordingly.**

For Left Return

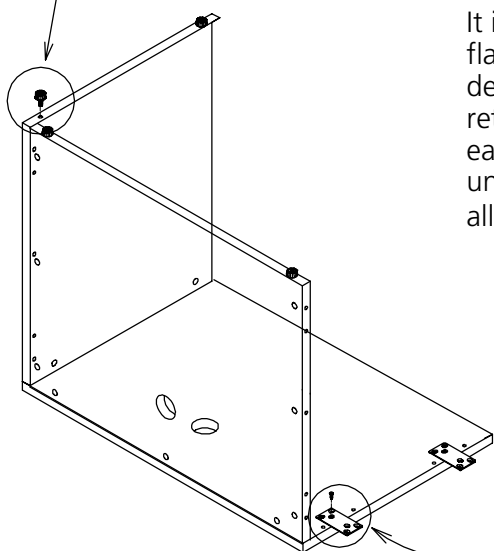
For Right Return



Insert three additional cam locks and cams in the additional positions provided. (Two in the underside of the work-surface and back panel and one additional in the side and back panels).

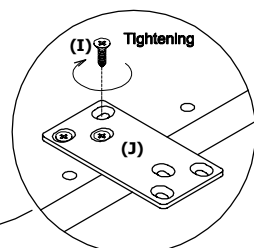


Insert the four adjustable glides in the back panel and side leg panel as shown.



It is easier to install two of the flat brackets to the assembled desk unit first rather than the return unit. This allows for easier installation of the return unit to the desk unit top. Secure all brackets with 6 screws each.

Recommended tools:



**Note: Place cap stickers on any exposed holes.**

