



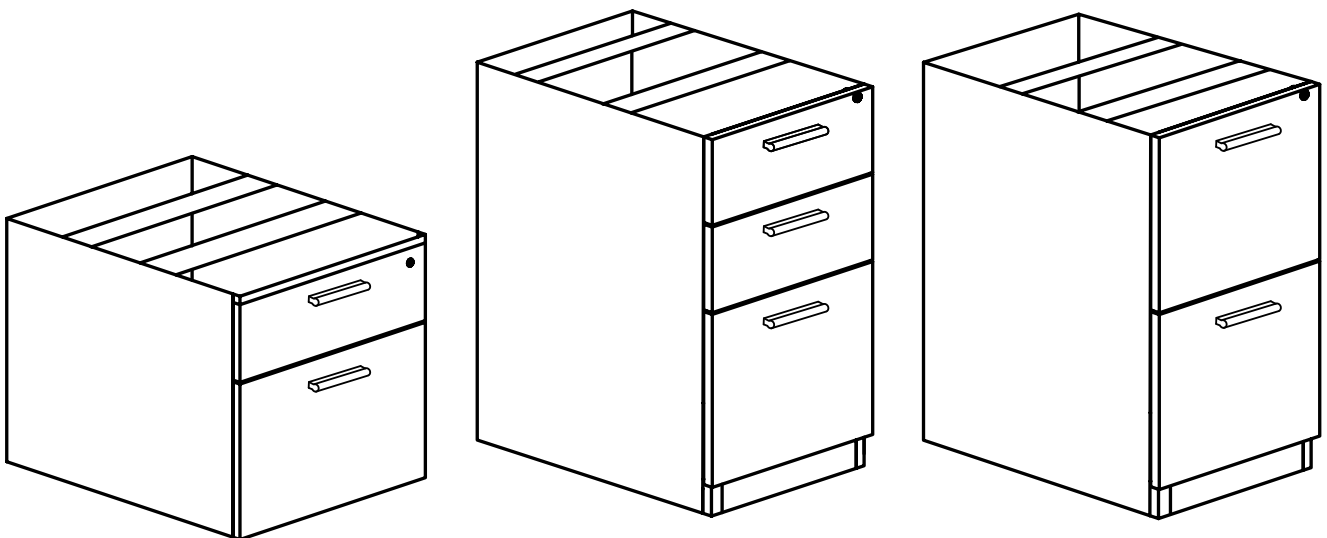
Scan Me
to watch
Assembly
Instructions



Kai
— By —
i5 Industries

Assembly: BF/BBF/FF Pedestal

MODELS: BF24 Box/File Pedestal
BBF24 Box/Box/File Pedestal
FF24 File/File Pedestal



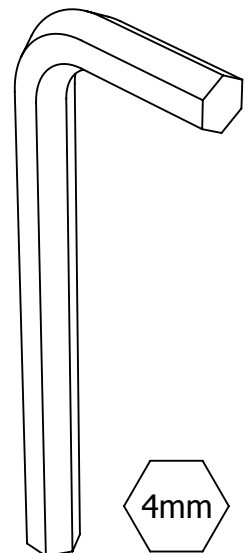
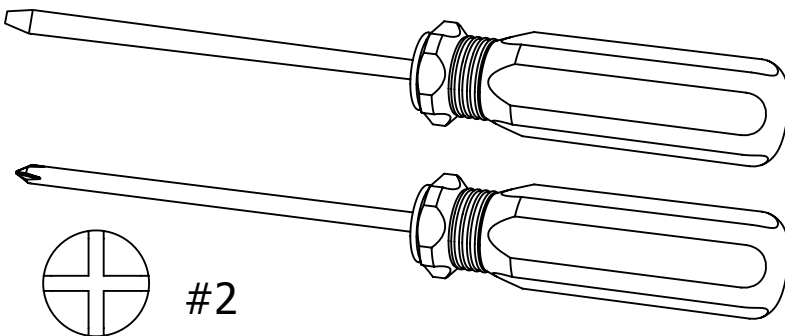
- Place all laminated parts on a clean and smooth surface such as a rug or carpet to avoid the parts from being scratched.
- Check to be sure that you have all parts and hardware.
- Remove all wrapping materials, including staples & packing straps before you start to assemble.
- Do not tighten all screw/bolts until completely assembled.
- Keep all hardware parts out of reach of children.



**TWO PEOPLE ARE
REQUIRED TO
ASSEMBLE AND MOVE
THIS MODEL**

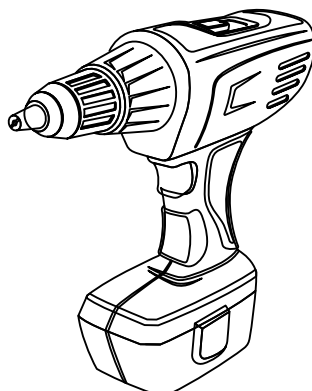
Required tools:

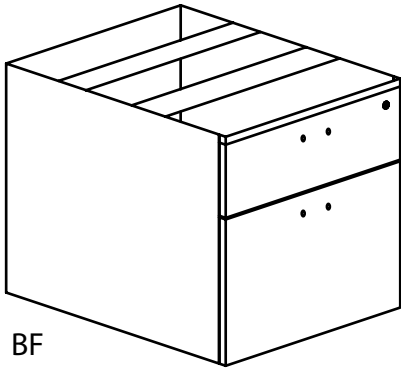
Flathead or Philips
#2 Screwdriver



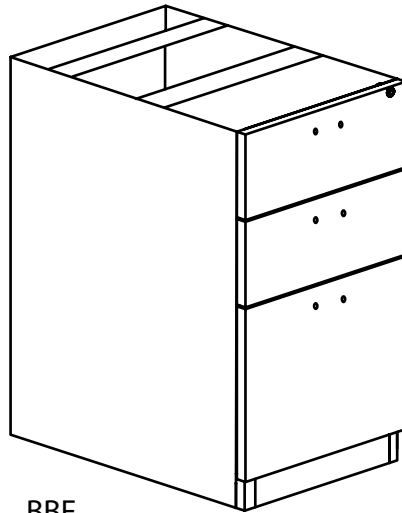
Recommended tools:

**Highly recommended when
assembling: L-shape
configuration or
attaching pedestals**

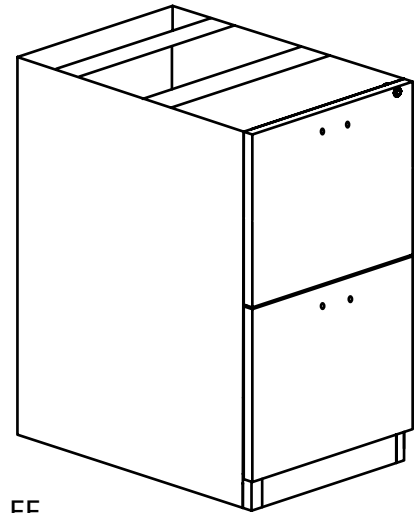




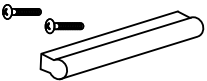
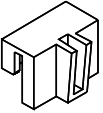

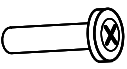

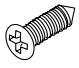
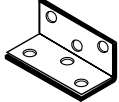

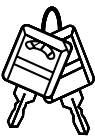

BF



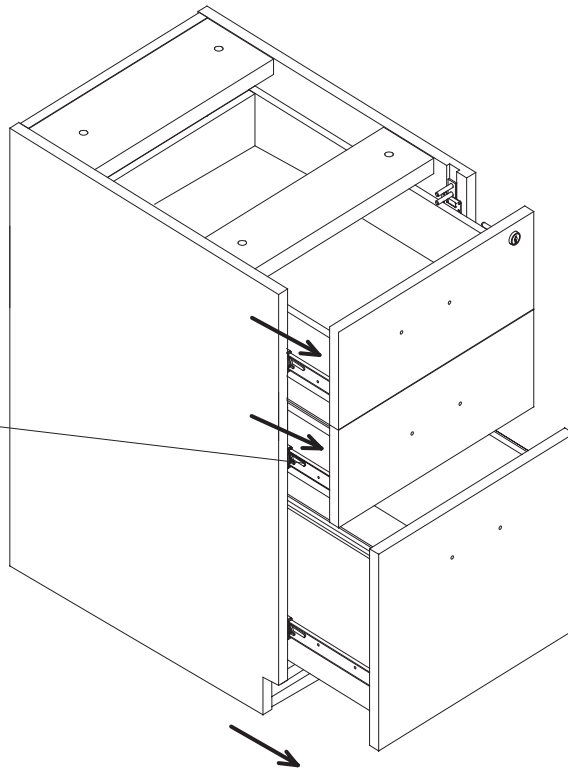
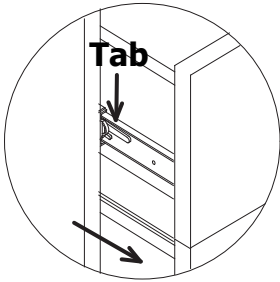
BBF



FF

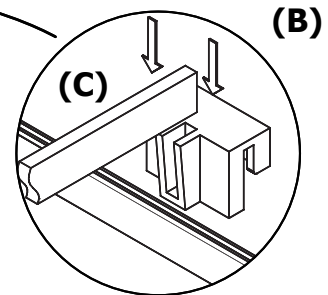
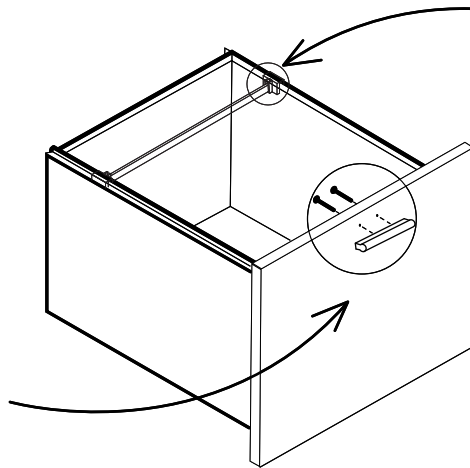
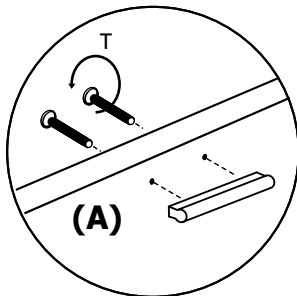
| PART | QTY. | |
|------------------------------|----------------------|---|
| A Metal Handle | 3 (BBF) 2 (FF/BF) |  |
| B File Clip | 2 (BBF/BF) 2 (FF) |  |
| C Metal Bar | 1 (BBF/BF) 2 (FF) |  |
| D Bolt | 4 |  |
| E Washer | 4 |  |
| F Wood Screw | 20 |  |
| G L Bracket | 2 |  |
| H Adjustable Glide | 4 (BBF/FF) |  |
| I Keys | 1 Set |  |
| L Wood Screws | 4 |  |

To release drawer, push the left tab down and right tab up.



Remove Drawers

Tighten clockwise



(B)

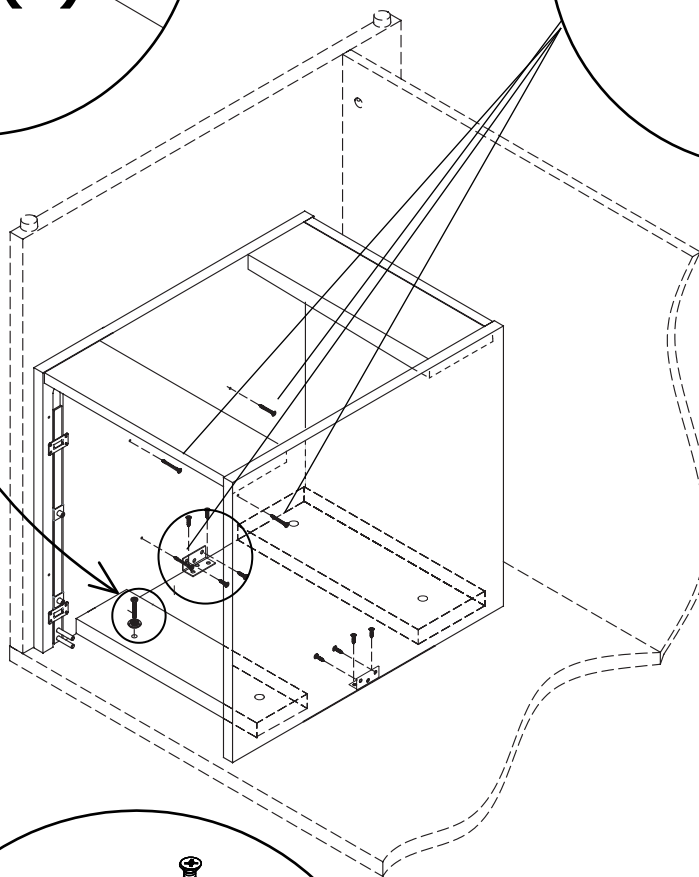
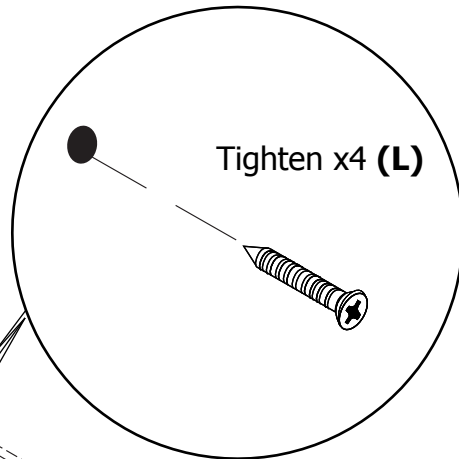
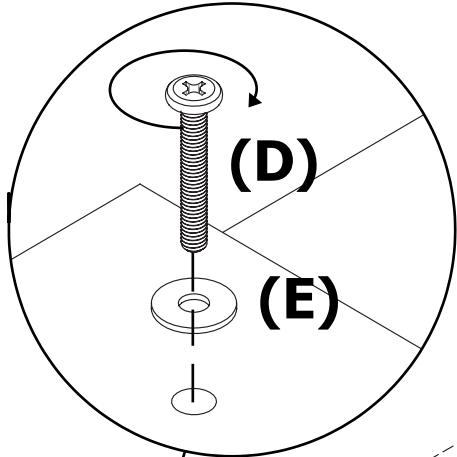
(C)

Attach pedestal to top of your return shell, desk shell, or credenza shell using the machine bolts and washer (D) x4 (E) x4.

For added support use (L) x4 to tie in your pedestal to the inside of the end support.

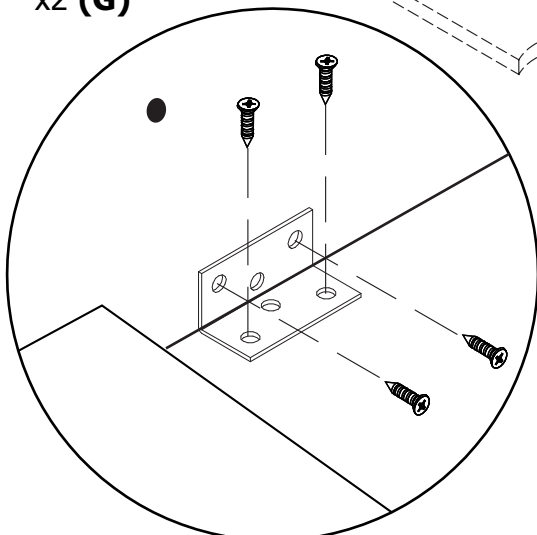
FLIP RETURN, DESK OR CREDENZA

DO NOT OVER TIGHTEN



Use long screws (L) here.

Tighten x4 (F)
x2 (G)

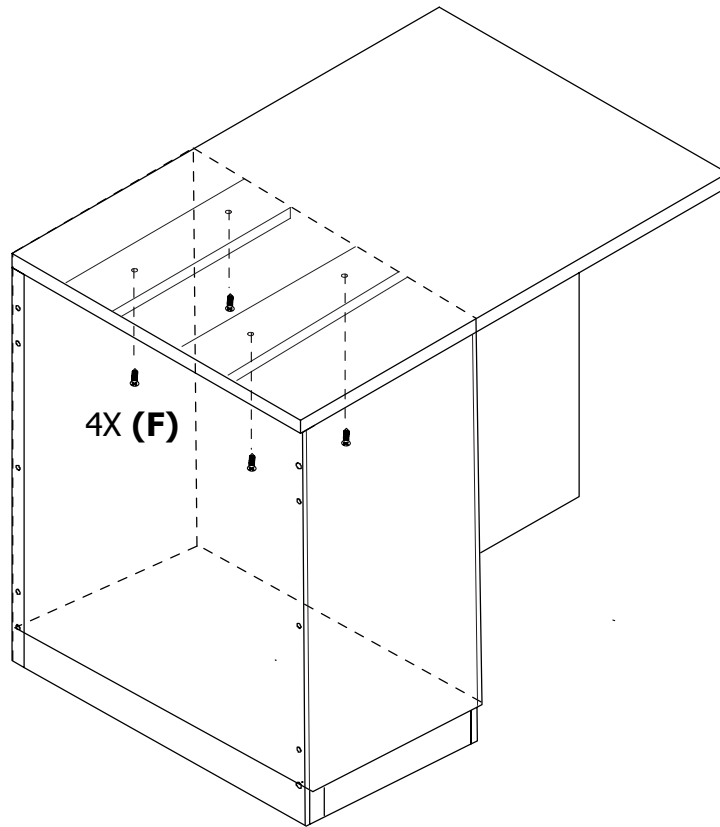


***Optional step to add additional strength to the desk only.**

Attach L brackets (2) to desk top from inside to desk top from inside

Use short screws (F) here.

Insert pedestal with drawers removed into place for mounting



Place drawers back on tracks and push back into place.

