



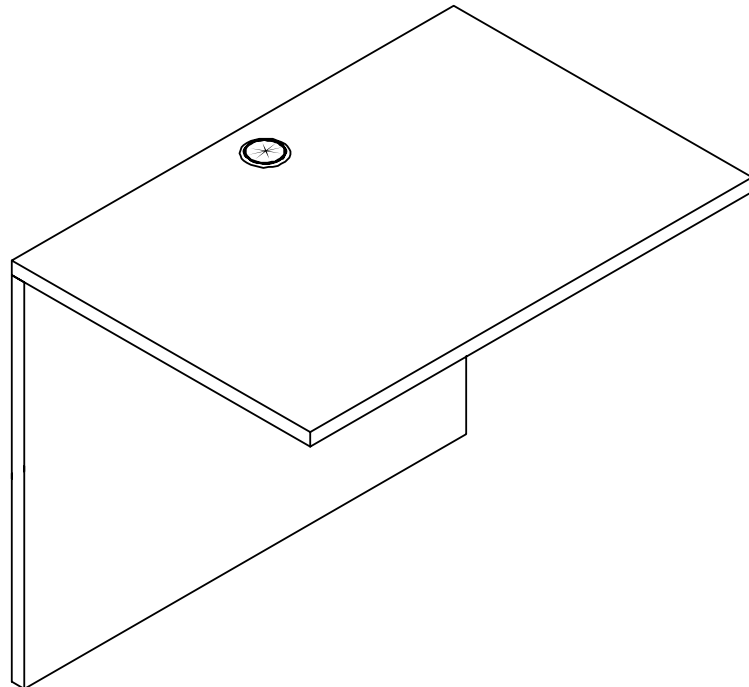
Scan Me
to watch
Assembly
Instructions



Kai
— By —
i5 Industries

Assembly: Bridge

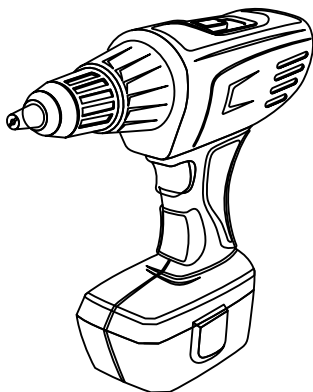
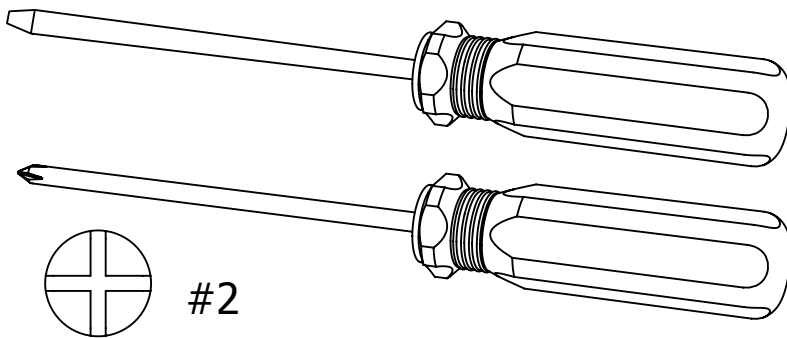
MODELS: B2436 24x36 Bridge
B2442 24x42 Bridge
B2448 24x48 Bridge



- Place all laminated parts on a clean and smooth surface such as a rug or carpet to avoid the parts from being scratched.
- Check to be sure that you have all parts and hardware.
- Remove all wrapping materials, including staples & packing straps before you start to assemble.
- Line up holes for cam locks.
- Put on sticker caps last.
- Keep all hardware parts out of reach of children.

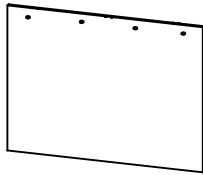
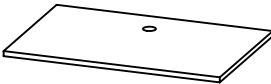
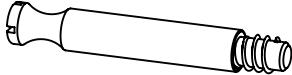


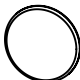





Required tools:

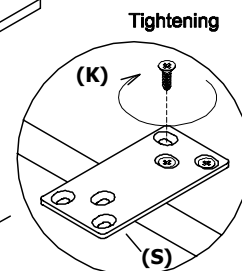
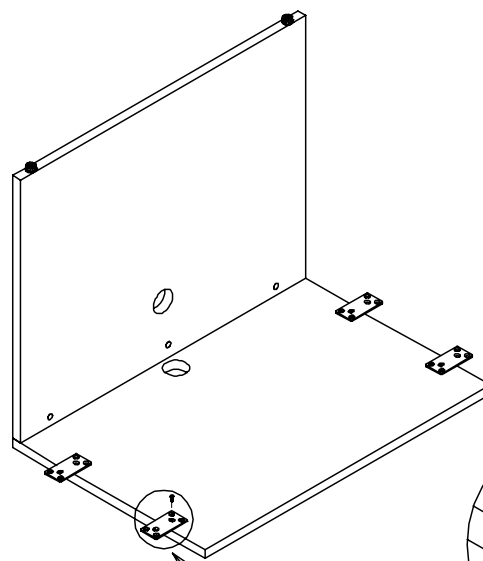
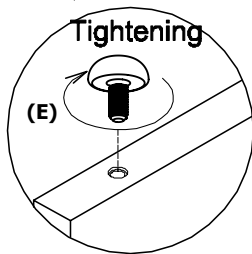
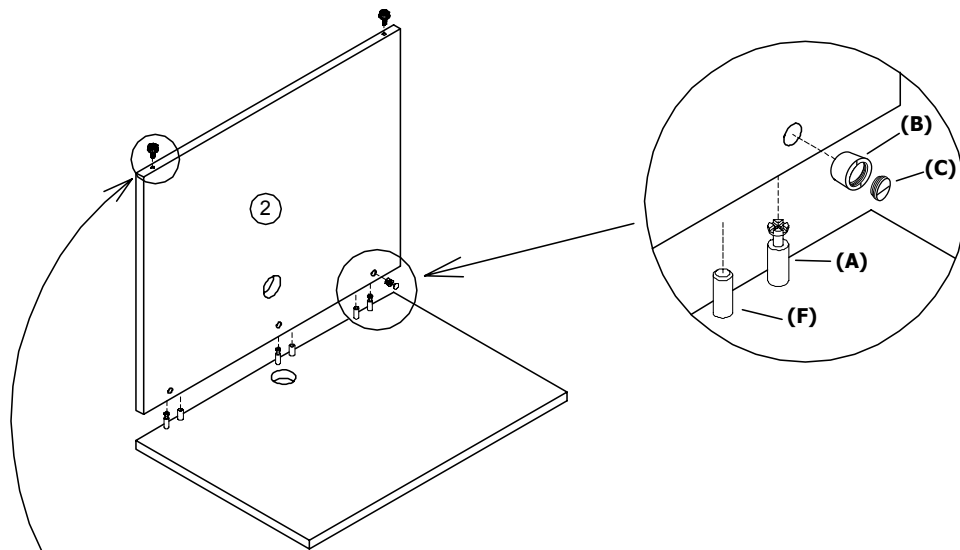
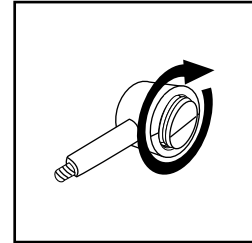
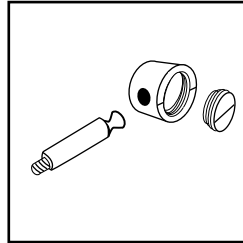
Flathead or Philips
#2 Screwdriver



PARTS & HARDWARE

BRIDGE

PART	QTY.	
MODESTY PANEL	1	
TOP	1	
PART	QTY.	
A Metal Pin	3	
B Cam Lock	3	
C Set Screw	3	
D Cap Sticker	3	
E Adjustable Glide	2	
F Wood Dowel	2	
G Grommet Hole Cover	1	
K Screw	24	
S Flat Bracket	4	



Recommended tools:



Note: Place cap stickers on any exposed holes.

