



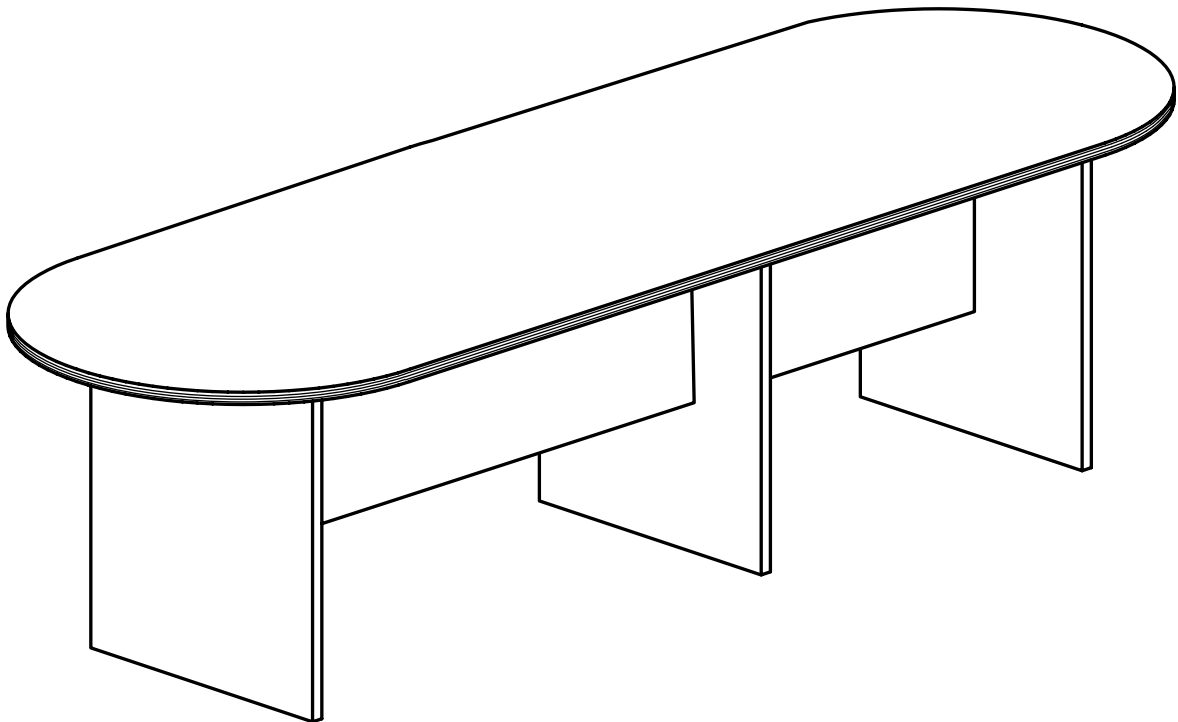
Scan Me  
to watch  
Assembly  
Instructions



*Kai*  
— By —  
*i5 Industries*

# Assembly: Conference Table

MODELS: CT120 120" Conference Table  
CT144 144" Conference Table



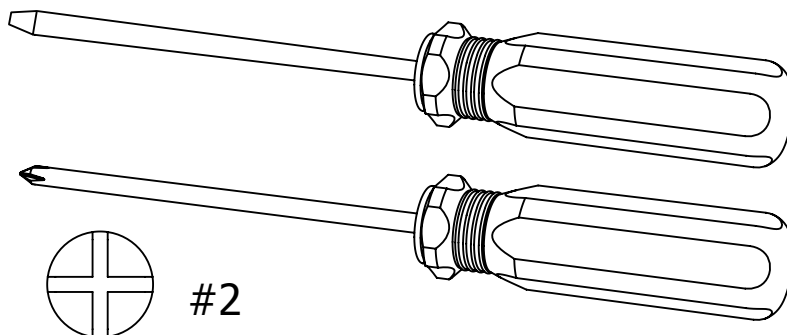
- Place all laminated parts on a clean and smooth surface such as a rug or carpet to avoid the parts from being scratched.
- Check to be sure that you have all parts and hardware.
- Remove all wrapping materials, including staples & packing straps before you start to assemble.
- Line up holes for cam locks.
- Put on sticker caps last.
- Keep all hardware parts out of reach of children.
- Inspect all holes to ensure there isn't any debris.



**TWO PEOPLE ARE  
REQUIRED TO  
ASSEMBLE AND MOVE  
THIS MODEL**

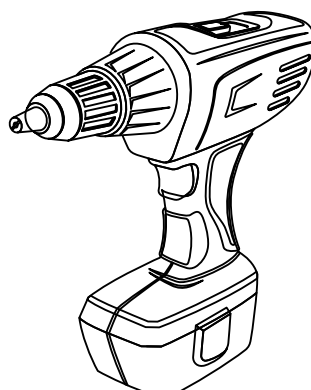
Required tools:

Flathead or Philips  
#2 Screwdriver



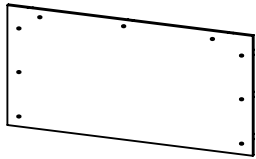
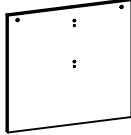

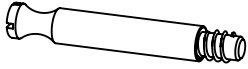


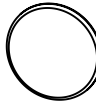


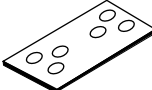
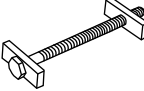
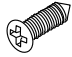
Recommended tools:

**Highly recommended when  
assembling: L-shape  
configuration or  
attaching pedestals**



## PARTS &amp; HARDWARE

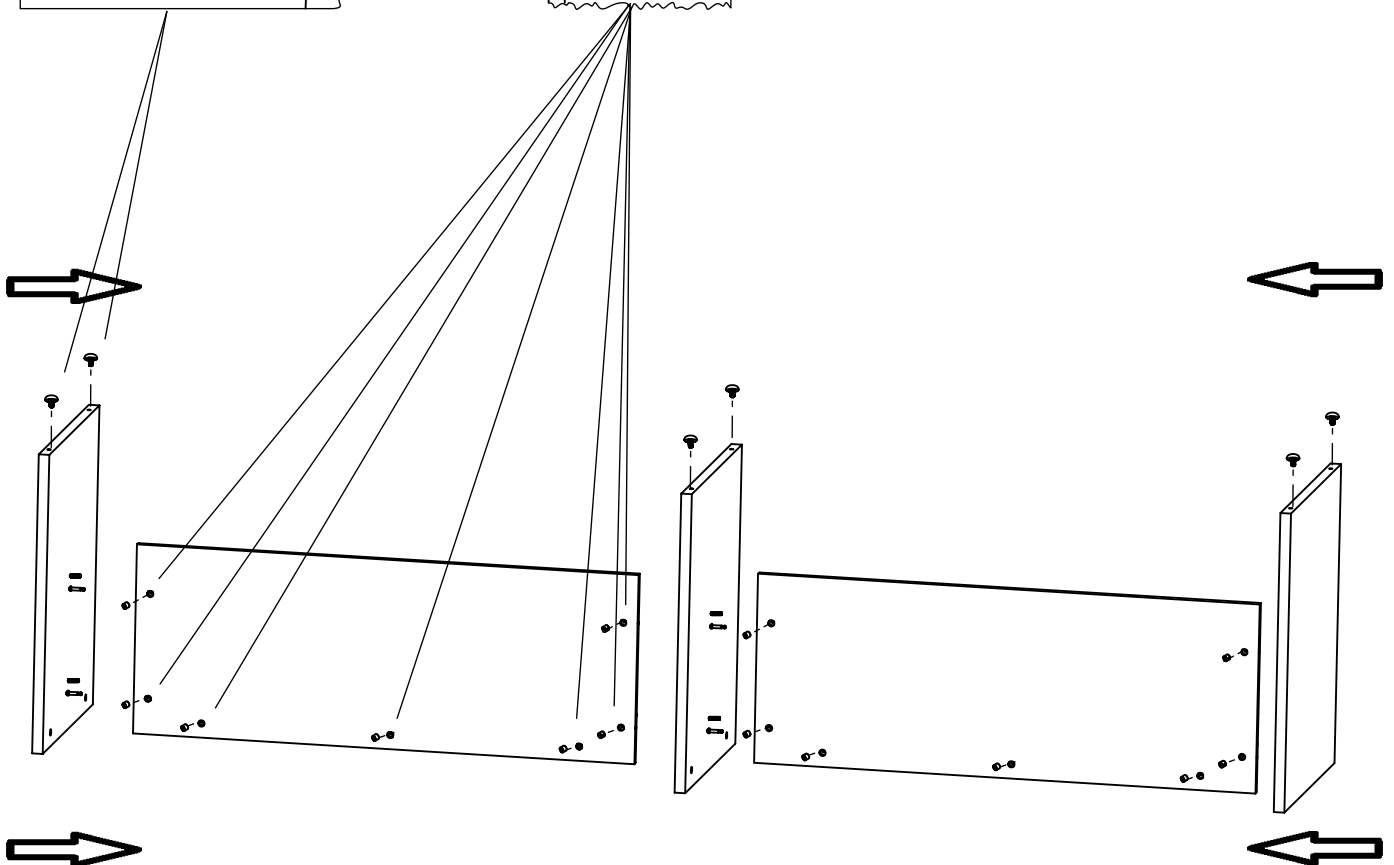
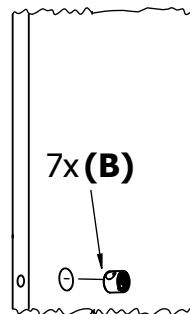
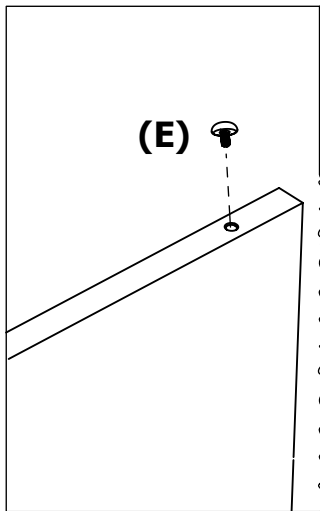
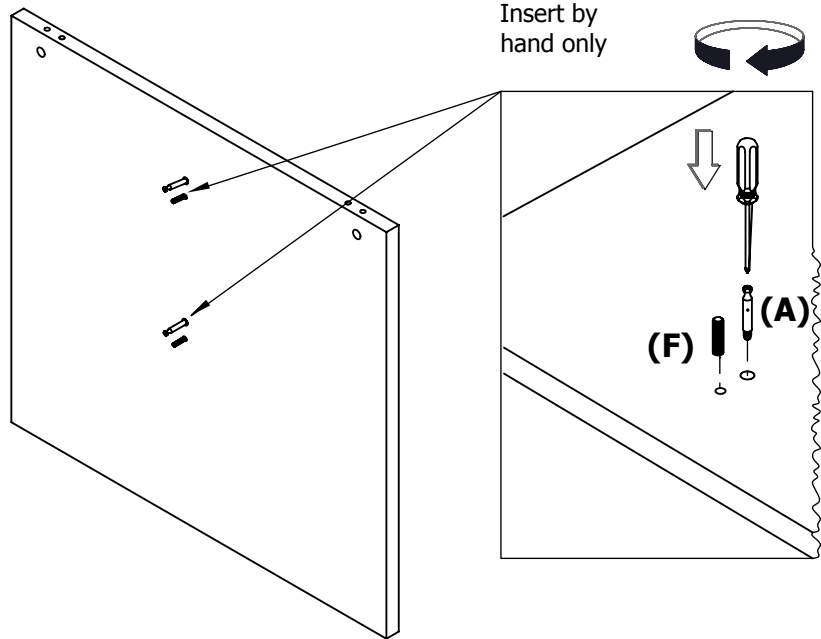
120"/144" CONFERENCE TABLE

PART	QTY.	
MODESTY PANEL	2	
END PANEL	3	
TOP	2	
PART	QTY.	
<b>A</b> Metal Pin	21	
<b>B</b> Cam Lock	21	
<b>C</b> Set Screw	21	
<b>D</b> Cap Sticker	21	
<b>E</b> Adjustable Glide	6	
<b>F</b> Wood Dowel	21	
<b>G</b> Connecting Plate	2	
<b>I</b> Draw Bolt	2	
<b>K</b> Screw	24	

**Assemble modesty panel with end panels. Place all hardware in its position. Take both end panels and push them into the modesty panel. Use the cam lock to lock the metal pin in place.**

2X (F)  
Insert by  
hand only

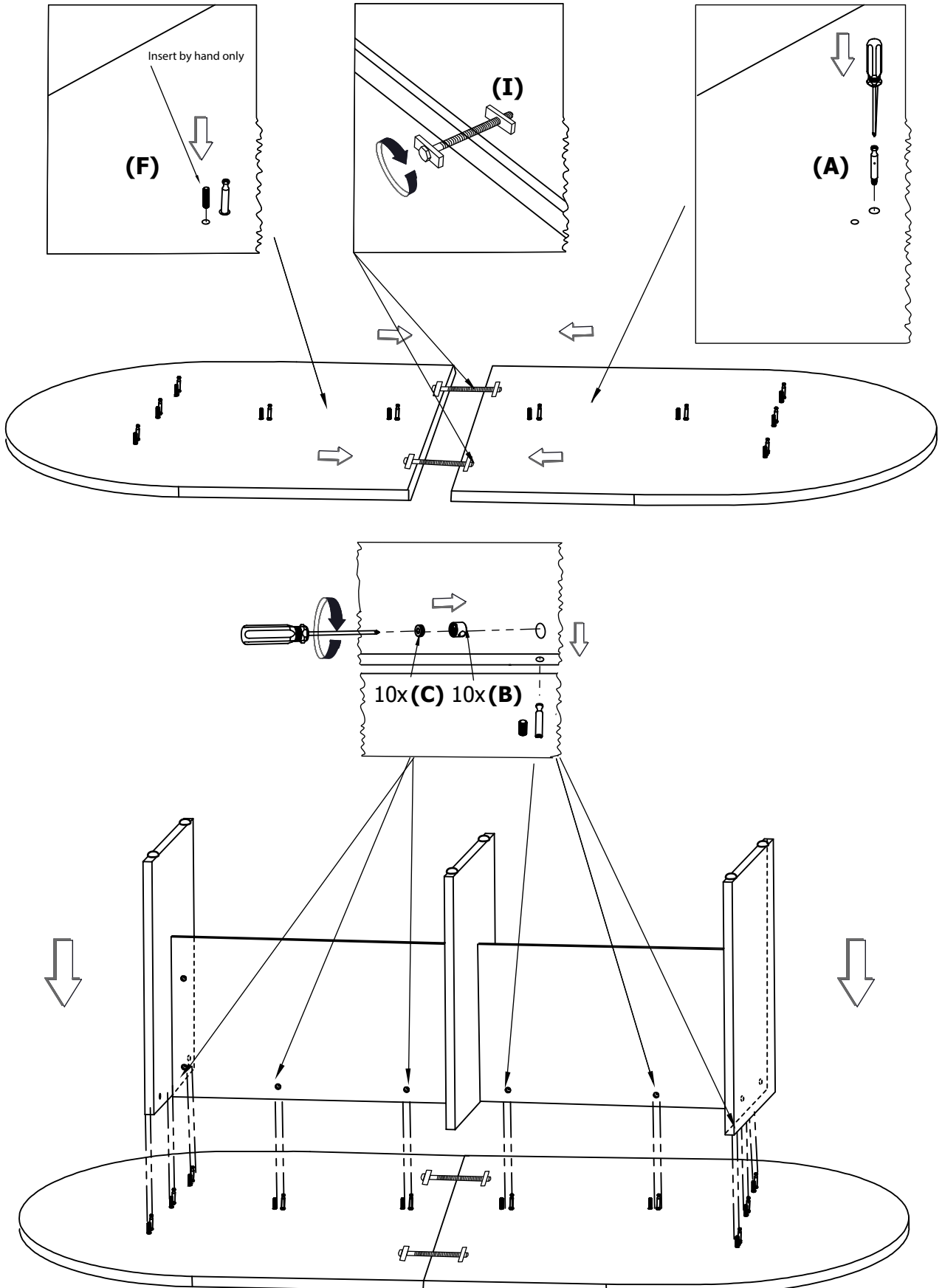
2X (A)



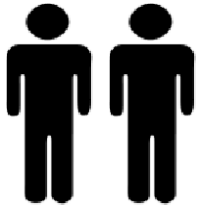
Flip base and place one side of the top of the base lining up the holes. Repeat for the other side of the top. Once both sides are on use (C) to secure the cams. Then use the draw bolts (I) to pull the 2 sides together to take away any gap in the center.

10X (F)

10X (A)



**Note: Place cap stickers on any exposed holes.**



**TWO PEOPLE ARE  
REQUIRED TO  
FLIP AND MOVE  
THIS MODEL**

